

# Thomas Parts Manual



*Publication Number 052321SP*

## T320 Skid Steer Loader

**A. LIABILITY WARRANTY****B. S/N TAG LOCATION****C. DECALS****1. MAINFRAME**

Fuel System .....	1.1
Rear Door.....	1.2
Universal Quick-Tach .....	1.3
Lift Arms and Pivot Pins .....	1.4
ROPS Assembly.....	1.5
Boom Supports .....	1.6
Shields.....	1.7
Seat and Seat Belt.....	1.8
Insulation (Standard).....	1.9 (A)
Insulation (CE Models).....	1.9 (B)
Fenders.....	1.10

**2. CONTROLS**

Control Levers (Hand Controls).....	2.1 (A)
Control Levers (Hand and Foot Controls).....	2.1 (B)
Foot Pedals (Hand and Foot Controls).....	2.2
Throttle.....	2.3
Restraint Bar .....	2.4

**3. FINAL DRIVE TRANSMISSION**

Transmission Housing .....	3.1
Axle Assembly.....	3.2

**4. HYDRAULIC SYSTEM**

Oil Reservoir.....	4.1
Hydraulic Oil Filter .....	4.2
Boom Lift Circuit (Standard).....	4.3 (A)
Boom Lift Circuit (w/ Optional Self Level Valve).....	4.3 (B)
Fan / Radiator / Oil Cooler .....	4.4
Lift Cylinder .....	4.5
Bucket Tilt Circuit (Standard).....	4.6 (A)
Bucket Tilt Circuit (w/ Optional Self Level Valve).....	4.6 (B)
Tilt Cylinder.....	4.7
Auxiliary Circuit.....	4.8
Control Valve .....	4.9
Accumulator.....	4.10
Flat Face Coupling.....	4.11

**5. HYDROSTATIC DRIVE SYSTEM**

Hydrostatic Drive Circuit .....	5.1
Hydrostatic Tandem Pump.....	5.2
Hi-Flow Circuit .....	5.3
Torque Motor .....	5.4

**6. ELECTRICAL SYSTEM**

Electrical Wiring, ROPS.....	6.1
Electrical Wiring, Engine.....	6.2

**7. ENGINE**

Air Cleaner.....	7.1
Exhaust System.....	7.2
Engine Accessories .....	7.3
Engine .....	7.4

**8. TRACKS**

Tracks.....	8.1
Locking Arms .....	8.2
Tandem Supports .....	8.3

**9. OPTIONAL EQUIPMENT**

Cab Enclosure .....	9.1
Cab Heater .....	9.2
Cab Door.....	9.3
Side Windows - Painted.....	9.4
Block Heater .....	9.5
Horn .....	9.6
Backup Alarm .....	9.7
Self Level Valve.....	9.8
Hand Controls .....	9.9
Hi-Flow .....	9.10
Optional Wheel Equipment.....	9.11
Hydraulic Oil Heater.....	9.12
Interior Light & Exterior Trouble.....	9.13
Driving Lamp.....	9.14
Purifier .....	9.15
Mirror, External Rear View .....	9.16
Mirror, Internal Rear View .....	9.17
Stop Switch .....	9.18
Cab Liner .....	9.19
Flat Face Adaptor to Poppet .....	9.20
Wheel Ready Conversion Kit.....	9.21

**NUMERICAL INDEX**

## LIABILITY WARRANTY

**THE WARRANTY IS THE ONLY OBLIGATION OF THOMAS OR A THOMAS DEALER TO THE PURCHASER OR ANYONE ELSE CONCERNING A PRODUCT, ITS SERVICE, ITS USE OR PERFORMANCE OR ITS LOSS OF USE OR FAILURE TO PERFORM. NEITHER THOMAS NOR A THOMAS DEALER HAVE MADE AND NEITHER WILL MAKE ANY OTHER EXPRESSED OR IMPLIED REPRESENTATION, WARRANTY OR AGREEMENT CONCERNING A PRODUCT. NEITHER THOMAS NOR A THOMAS DEALER HAVE MADE OR WILL MAKE ANY REPRESENTATION, WARRANTY OR AGREEMENT CONCERNING A PRODUCTS MERCHANTABILITY OR OTHER QUALITY, ITS SUITABILITY FOR PURCHASER'S PURPOSE (EVEN IF A PURCHASER HAS INFORMED THOMAS OR A THOMAS DEALER OF THAT PURPOSE), ITS DURABILITY, PERFORMANCE OR OTHER CONDITION.**

**EVEN IF THOMAS OR A THOMAS DEALER WAS ADVISED OF THE POSSIBILITY OF SUCH LOSS, NEITHER THOMAS NOR A THOMAS DEALER WILL BE LIABLE TO PURCHASER OR ANYONE ELSE FOR ANY INDIRECT, INCIDENTAL CONSEQUENTIAL, PUNITIVE, ECONOMIC, COMMERCIAL, OR SPECIAL LOSS WHICH IS IN ANY WAY ASSOCIATED WITH A PRODUCT. THIS INCLUDES ANY LOSS OF USE OR NON-PERFORMANCE OF A PRODUCT, ANY REPLACEMENT RENTAL OR ACQUISITION COSTS, ANY LOSS OF REVENUE OR PROFITS, ANY FAILURE TO REALIZE EXPECTED SAVINGS, ANY INTEREST COSTS, ANY IMPAIRMENT OF OTHER GOODS, ANY INCONVENIENCE OR ANY LIABILITY OF PURCHASER TO ANY OTHER PERSON.**

**PURCHASER MAY NOT ATTEMPT TO ENLARGE ITS RIGHTS UNDER THE WARRANTY BY MAKING A CLAIM FOR INDEMNITY, FOR BREACH OF CONTRACT, FOR BREACH OF COLLATERAL WARRANTY, FOR A TORT (INCLUDING NEGLIGENCE, MISREPRESENTATION OR STRICT LIABILITY) OR BY CLAIMING ANY OTHER CAUSE OF ACTION.**

**THE WARRANTY IS A CONDITION OF SALE OF THE PRODUCT TO PURCHASER AND WILL THEREFORE APPLY EVEN IF PURCHASER ALLEGES THAT THERE IS A TOTAL FAILURE OF THE PRODUCT.**

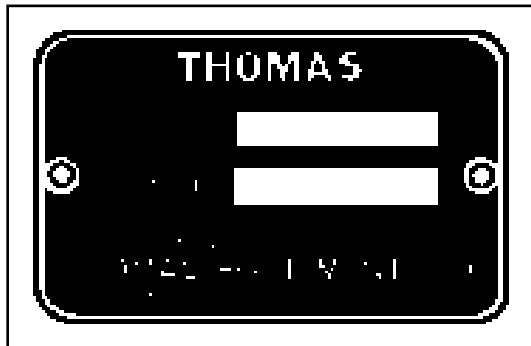
*N.B. Read and practice your **Thomas** operating and servicing instructions. Failure to do this may void your warranty.*

*Publication Number*

052321SP

© Thomas Equipment Inc.

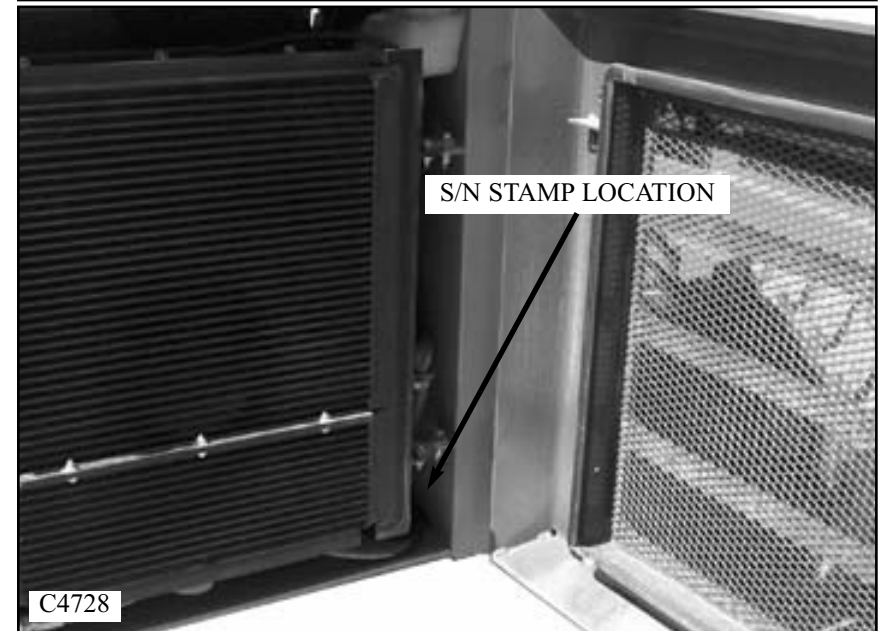
Printed in Canada



It is important when ordering replacement parts or making a service inquiry to provide both the model number and serial number of your Thomas loader. The serial number plate is located at the rear of the machine on the left hand side. In the event that the serial number plate is missing, the model number and serial number are both stamped into the main frame inside the rear door, right hand side, next to the fuel line shut off petcock (Fig. C4727 & Fig. C4728).

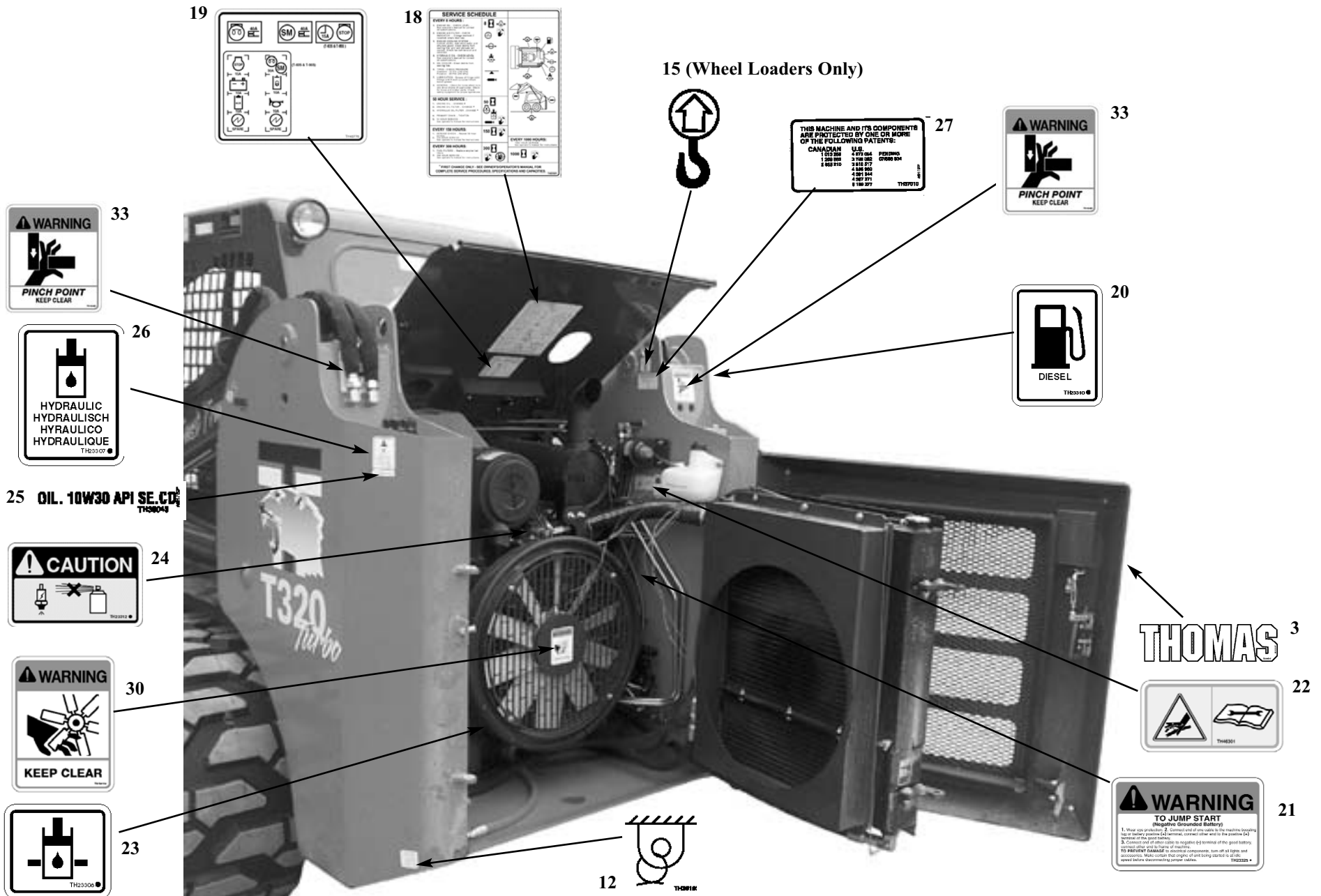


C4727



C4728

# Decals



# Decals

**1** 1

**2** **WARNING**  
RATED OPERATING CAPACITY  
DEAGRO OTTOBRE/1998  
CAPACIDAD DE OPERACION  
CAPACIDAD MÁXIMA DE CARGA

MODELO	CAPACIDAD MÁXIMA
T100	800 kg (1764 kg)
T105	900 kg (1984 kg)
T110	1000 kg (2205 kg)
T115	1100 kg (2425 kg)
T120	1200 kg (2645 kg)
T125	1300 kg (2865 kg)
T130	1400 kg (3085 kg)
T135	1500 kg (3305 kg)
T140	1600 kg (3525 kg)
T145	1700 kg (3745 kg)
T150	1800 kg (3965 kg)
T155	1900 kg (4185 kg)
T160	2000 kg (4405 kg)

**3** **THOMAS**

**4** **ATTENTION**  
BOOM SUPPORT CONTROL  
ENGAGE DISENGAGE  
DO NOT MOVE LIFT ARMS WITH SUPPORTS ENGAGED

**5** **ATTENTION**  
BOOM SUPPORT CONTROL  
ENGAGE DISENGAGE  
DO NOT MOVE LIFT ARMS WITH SUPPORTS ENGAGED

**6** **WARNING**  
THIS LOADER IS EQUIPPED WITH A SEAT-BAR-ACTIVATED PARKING BRAKE. TO RELEASE THE PARKING BRAKE, SIMPLY LOWER THE SEAT BAR. SHOULD THE BRAKE NOT RELEASE, SLIGHTLY JOG THE CONTROL LEVERS FORWARD AND REARWARD.

**7** 7

**8** 8

**9** **AUX**

**10** **WARNING**

**11** **WARNING**  
CARRY LOAD LOW  
FASTEN SEAT BELT

**12** **WARNING**  
TO PREVENT INJURY, ENSURE THE ATTACHMENT IS SECURELY FASTENED TO THE QUICK HATCH. CHECK THAT BOTH THE QUICK HATCH HANDLE LOCK AND LOCK PIN ARE FULLY ENGAGED BEFORE OPERATING THE LOADER.

**13** **WARNING**

**14** **WARNING**  
DO NOT ENTER OR LEAVE MACHINE WHILE ENGINE IS RUNNING

**15** **WARNING**  
DO NOT USE SEAT OR CONTROL LEVERS TO ASSIST IN ENTERING OR EXITING THIS MACHINE.  
FORCING LEVERS WHEN SEAT BAR IS UP WILL CAUSE WHEEL CREEP.  
THIS MACHINE IS EQUIPPED WITH A SAFETY SYSTEM.  
SEE THE OPERATOR'S MANUAL FOR STARTING AND OPERATING PROCEDURES. CONTACT YOUR THOMAS DEALER FOR ALL SAFETY SYSTEM ADJUSTMENTS.

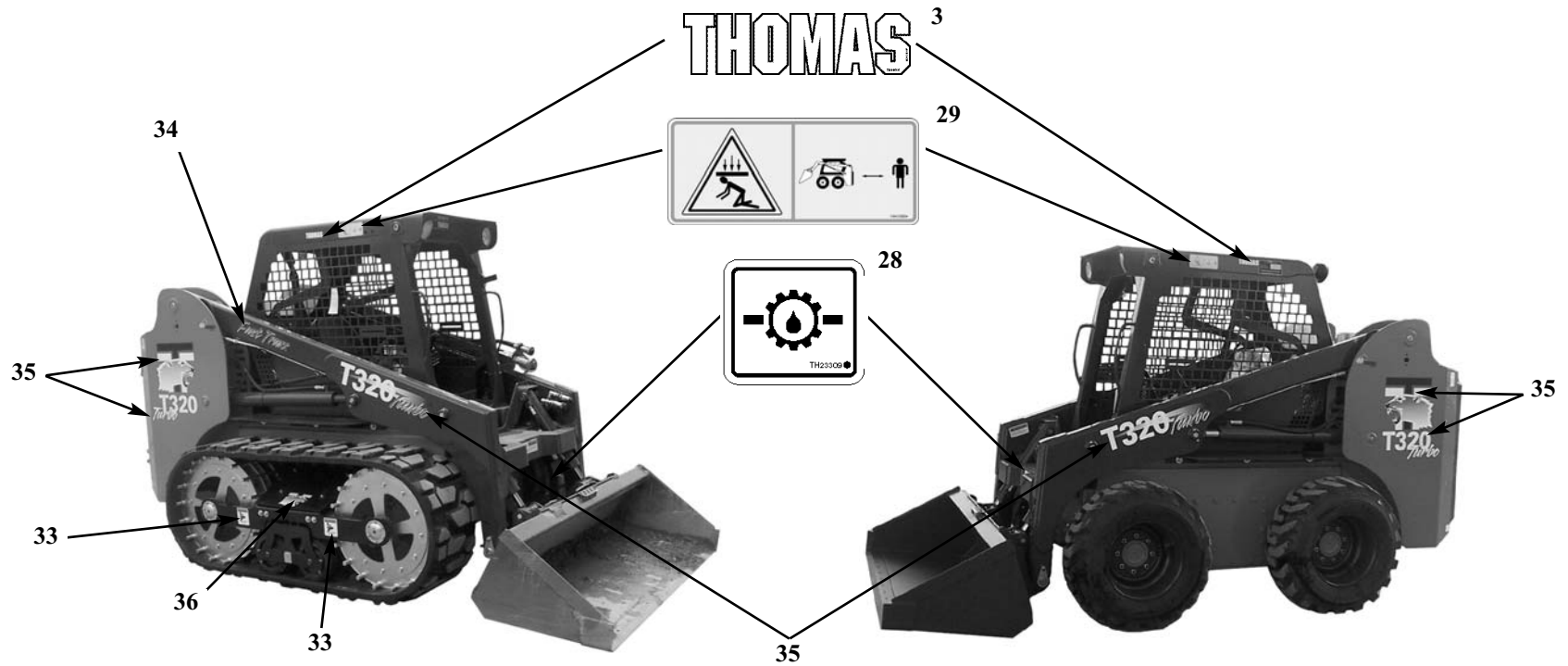
**16** **WARNING**  
DO NOT USE SEAT OR CONTROL LEVERS TO ASSIST IN ENTERING OR EXITING THIS MACHINE.  
FORCING LEVERS WHEN SEAT BAR IS UP WILL CAUSE WHEEL CREEP.  
THIS MACHINE IS EQUIPPED WITH A SAFETY SYSTEM.  
SEE THE OPERATOR'S MANUAL FOR STARTING AND OPERATING PROCEDURES. CONTACT YOUR THOMAS DEALER FOR ALL SAFETY SYSTEM ADJUSTMENTS.

**17** **WARNING**  
BEFORE STARTING AND OPERATING, READ AND KNOW THE OPERATING AND SAFETY INSTRUCTIONS IN THE MANUAL AND ON THE MACHINE.  
CLEAR THE AREA OF OTHER PERSONS.  
LEARN LOCATION AND SAFE USE OF CONTROLS.  
THIS MACHINE IS EQUIPPED WITH A SAFETY SYSTEM. CONTACT YOUR THOMAS DEALER FOR ALL SAFETY SYSTEM ADJUSTMENTS.  
FASTEN YOUR SEATBELT.  
START ENGINE ONLY FROM OPERATOR'S SEAT WITH ALL CONTROLS IN NEUTRAL AND SEAT BELT FASTENED AROUND YOU.  
DO NOT PERMIT ANYONE BUT THE OPERATOR TO RIDE ON THE MACHINE. THERE IS NO SAFE PLACE FOR EXTRA RIDERS.  
OPERATE ONLY FROM THE OPERATOR'S SEAT.  
STAY OUT FROM UNDER RAISED LIFT ARMS UNLESS SUPPORTED.  
CARRY ATTACHMENT LOW DURING TRANSPORT FOR BETTER VISIBILITY AND SLOW DOWN ON TURNS, ROUGH GROUND AND SLOPES TO AVOID ROLL-OVER.  
LOADS LOADED WITHOUT SPECIAL ATTACHMENTS FOR HANDLING LARGE, HEAVY OBJECTS SUCH AS LARGE ROUND BALES, LARGE RECTANGULAR BALES, LOGS AND OIL DRUMS, IS NOT RECOMMENDED.  
HANDLING LARGE HEAVY OBJECTS WITH THE LOADER CAN BE EXTREMELY DANGEROUS DUE TO OBJECTS ROLLING OR SLIDING DOWN THE LOADER ARMS ONTO THE OPERATOR. KEEP ALL SHIELDS AND SAFETY EQUIPMENT IN PLACE.  
USE BALLAST FOR STABILITY AS RECOMMENDED IN THE OPERATOR'S MANUAL.  
WHEN PARKING OR SHOWING, LOWER THE BUCKET TO THE GROUND, STOP THE ENGINE, AND SET THE PARKING BRAKE TO STOP MACHINE MOTION.  
FAILURE TO FOLLOW ANY OF THE ABOVE CAN CAUSE SERIOUS INJURY TO THE OPERATOR OR OTHER PERSONS.

**31** 31

**32** 32

# Decals

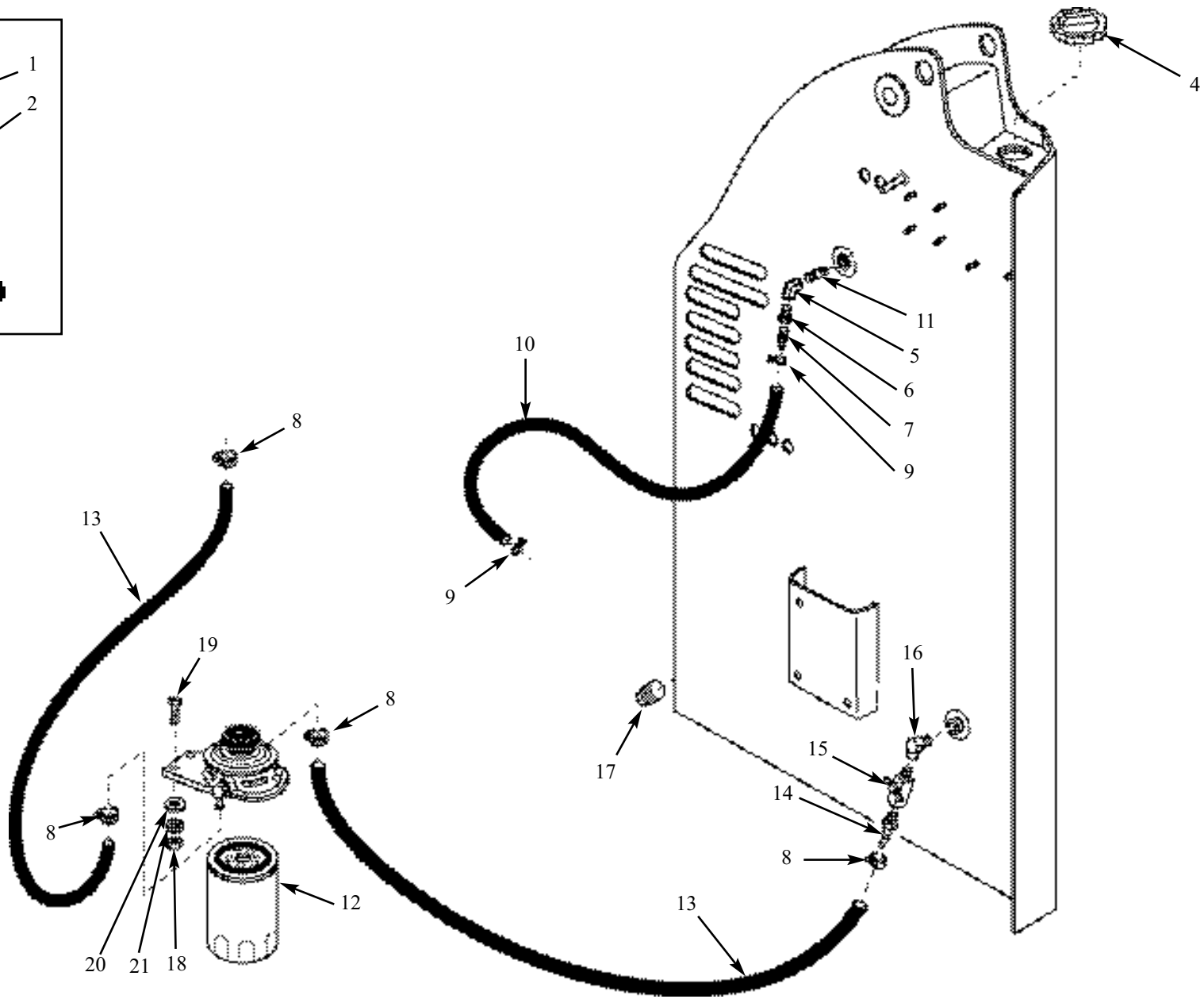
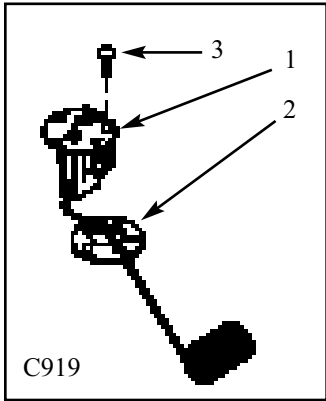


1.	037060SP	11.	023326SP	21.	023325SP	31.	049021SP
2.	042107SP	12.	039192SP	22.	046301SP	32.	049022SP
3.	044615SP	13.	032275SP	23.	023308SP	33.	049020SP
4.	036841SP	14.	023324SP	24.	023312SP	34.	049733SP
5.	025460SP	15.	039191SP	25.	038043SP	35.	049587SP (Decal Kit)
6.	041045SP	16.	039196SP	26.	023307SP	36.	049734SP (R.H. Side)
7.	043791SP	17.	036598SP	27.	037010SP		049735SP (L.H. Side)
8.	037059SP	18.	023321SP	28.	023309SP		
9.	023301SP	19.	043776SP	29.	041065SP		
10.	041066SP	20.	023310SP	30.	049019SP		

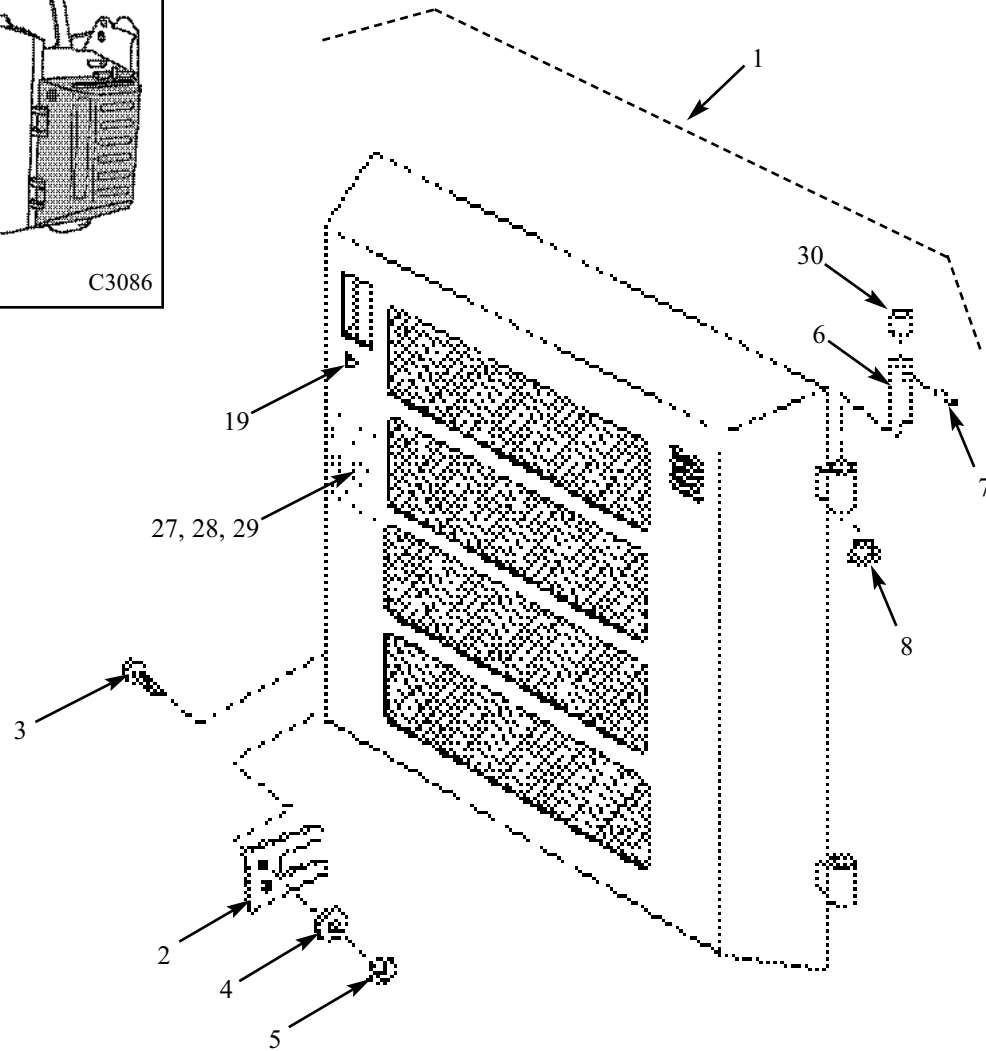
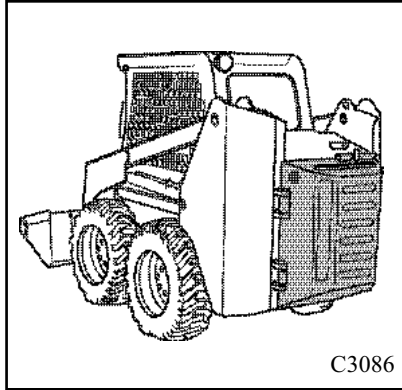
## 1. MAINFRAME

Fuel System.....	1.1
Rear Door.....	1.2
Universal Quick-Tach .....	1.3
Lift Arms and Pivot Pins.....	1.4
ROPS Assembly .....	1.5
Boom Supports.....	1.6
Shields .....	1.7
Seat and Seat Belt .....	1.8
Insulation (Standard) .....	1.9 (A)
Insulation (CE Models).....	1.9 (B)
Fenders .....	1.10

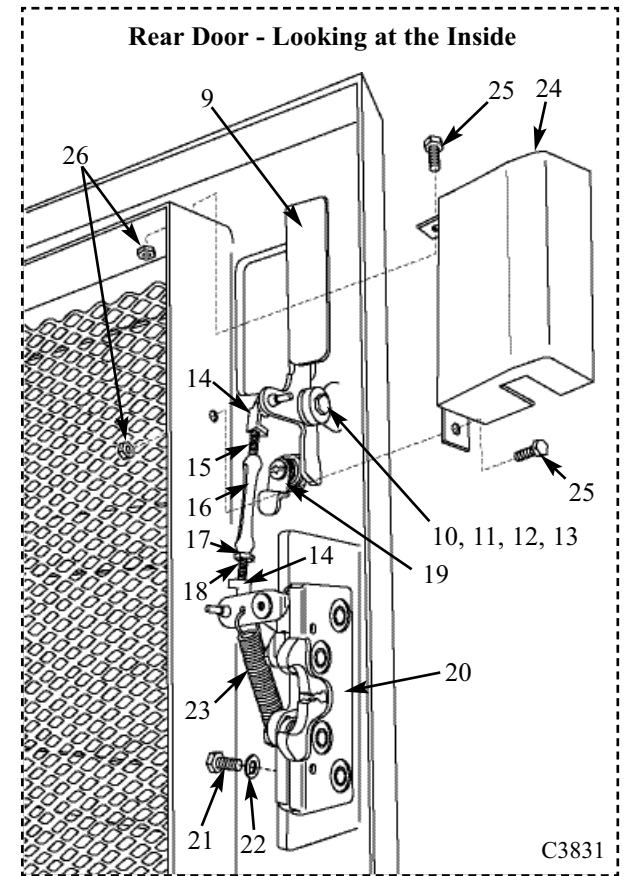




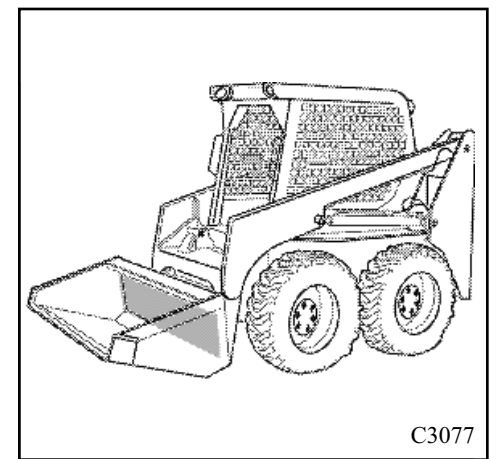
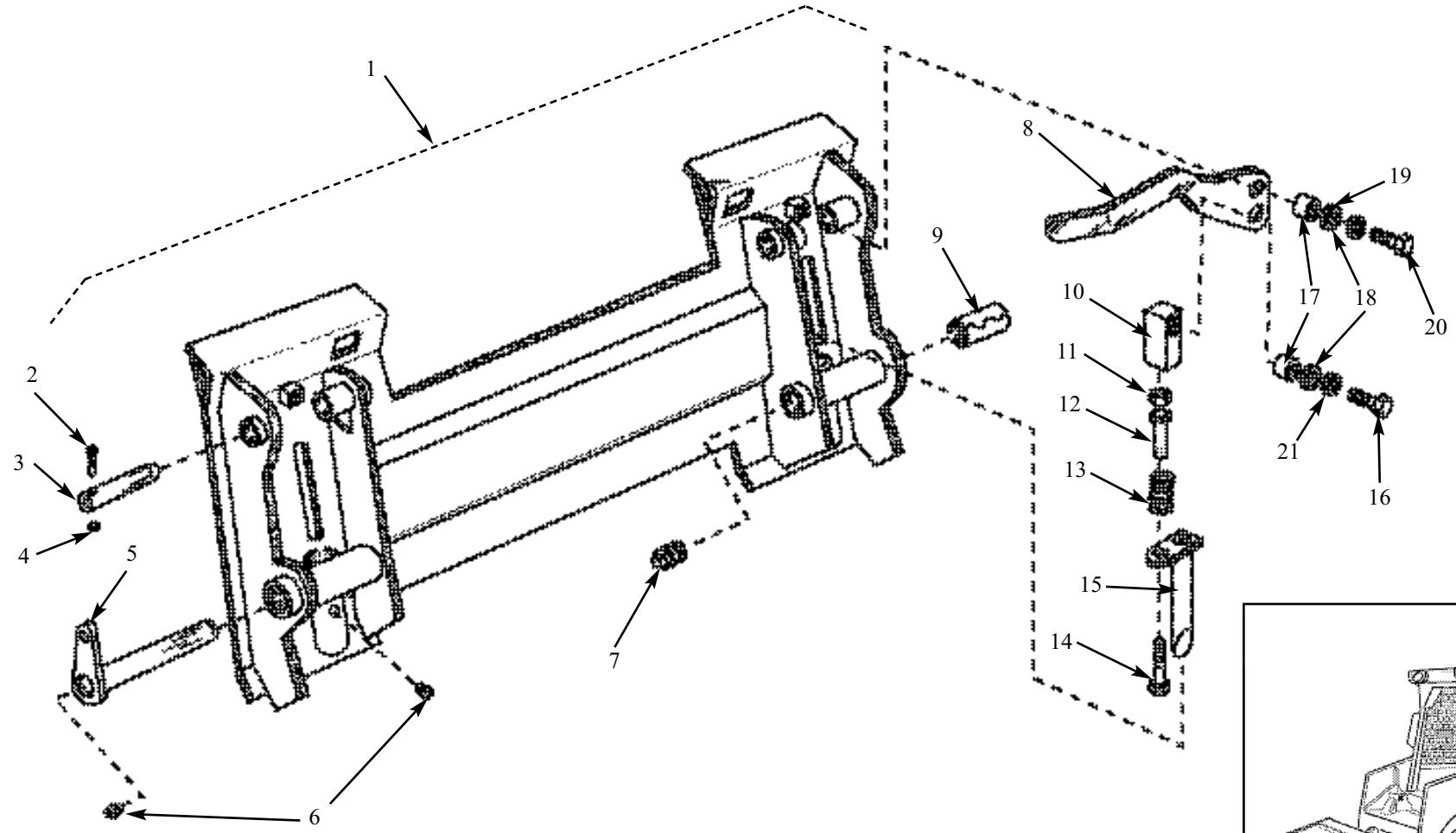
ITEM	PART	QTY	DESCRIPTION
1.	041627SP	1	Sender, Fuel Level
2.	024264SP	1	Gasket, for Fuel Sender
3.	023194SP	5	Screw
4.	040921SP	1	Fuel Cap
4.	040922SP	1	Locking Fuel Cap (Option)(Standard on CE Loaders)
5.	042573SP	1	Elbow
6.	042572SP	1	Reducer Bushing
7.	018318SP	1	Hose End
8.	019949SP	4	Clamp, Fuel Line
9.	026737SP	2	Clamp, Wire Hose
10.	000407SP	A / R	Hose, Fuel 3 3/16
11.	042571SP	1	Nipple
12.	042561SP	1	Fuel Filter Element
13.	000261SP	A / R	Hose, Fuel 5 5/16
14.	023861SP	1	Hose End
15.	014797SP	1	Shut Off Petcock
16.	042574SP	1	Elbow, 90°
17.	017144SP	1	Drain Plug
18.	001194SP	2	Nut, Hex
19.	001387SP	2	Bolt, Hex
20.	001643SP	2	Washer, Flat
21.	001642SP	2	Washer, Lock



C3825

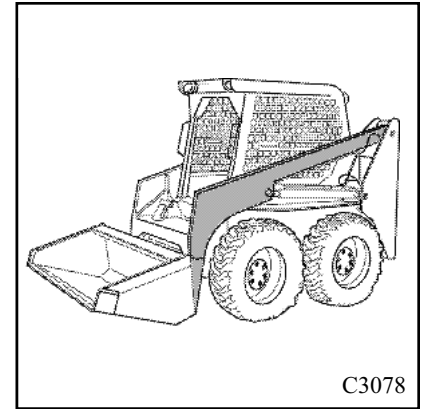
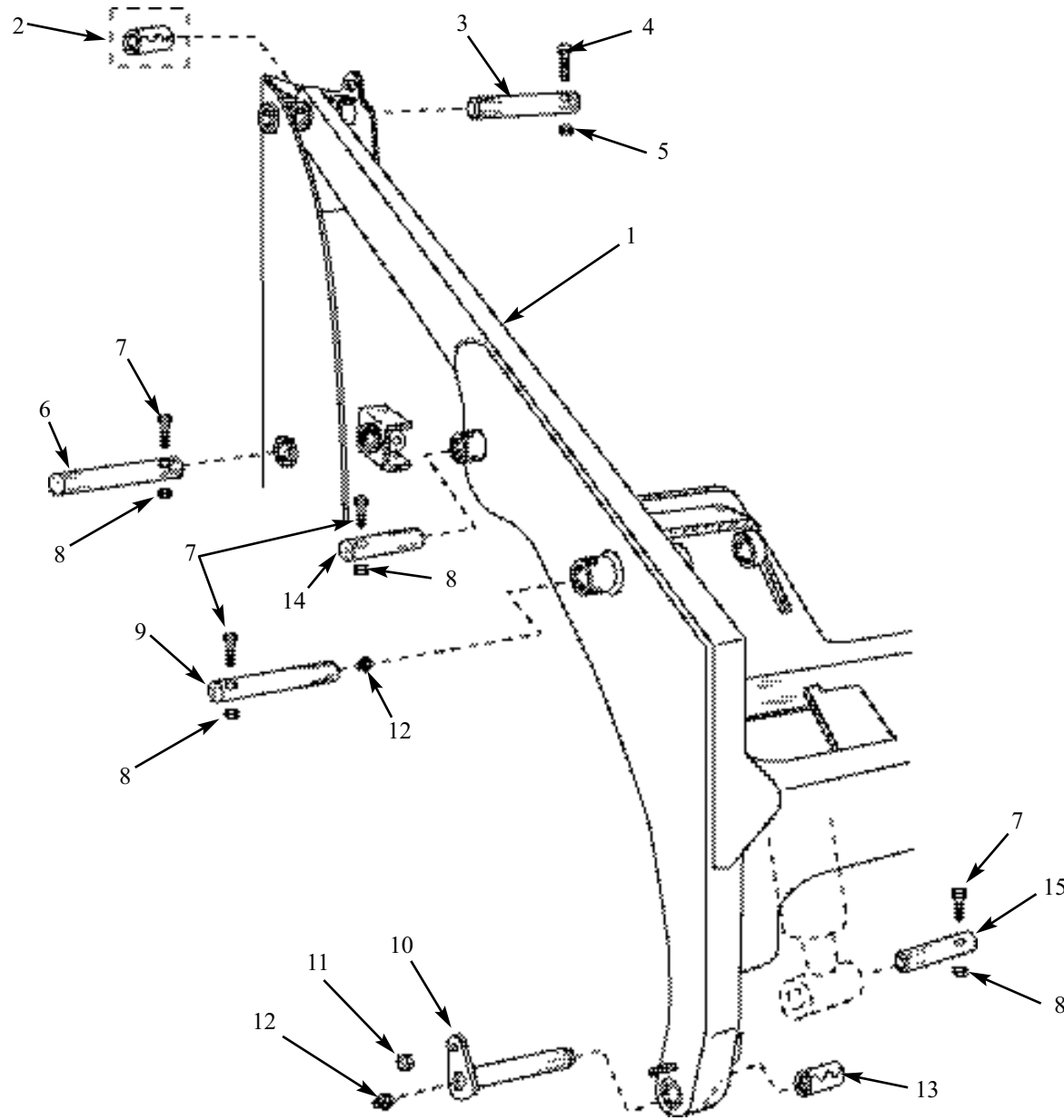


ITEM	PART	QTY	DESCRIPTION
*	964522SP	1	Rear Door Complete
1.	964514SP	1	Rear Door Welded Assy.
2.	048614SP	1	Plate, Door Guide
3.	001684SP	2	Bolt, Carriage 3/8 x 1
4.	001643SP	2	Washer, Flat 3/8
5.	007465SP	2	Nut, Nylok 3/8
6.	051028SP	2	Pin
7.	021004SP	2	Pin, Split Spring
8.	016989SP	2	Bearing
9.	051128SP	1	Sheet, Handle
10.	005170SP	1	Bolt, Hex 1/4 x 1
11.	039868SP	2	Washer, Nylon 1/4 x 7/8
12.	001650SP	1	Washer, Flat 1/4
13.	006645SP	1	Nut, Nylok 1/4
14.	043088SP	2	Clip, Rod Plastic
15.	043236SP	1	Rod, .161" Dia. x 2" w/#10-24 LH Thread
16.	043087SP	1	Turnbuckle, #10-24 Thread
17.	023238SP	1	Nut, Nylok #1--24
18.	043235SP	1	Rod, .161" Dia. x 2" w/#10-24 RH Thread
19.	048929SP	1	Cylinder, Lock
20.	048927SP	1	Latch, Rotary LH
21.	005170SP	4	Bolt, Hex 1/4 x 1
22.	002279SP	4	Washer, Lock 1/4
23.	046398SP	1	Spring
24.	964544SP	1	Latch Cover Assembly
25.	002663SP	2	Bolt, Hex 1/4 x 3/4
26.	006645SP	2	Nut, Nylok 1/4
27.	048928SP	1	Bolt, Rotary Striker for Door Latch
28.	006393SP	1	Nut, Hex 7/16
29.	006394SP	1	Washer, Lock 7/16
30.	049097SP	2	Bearing



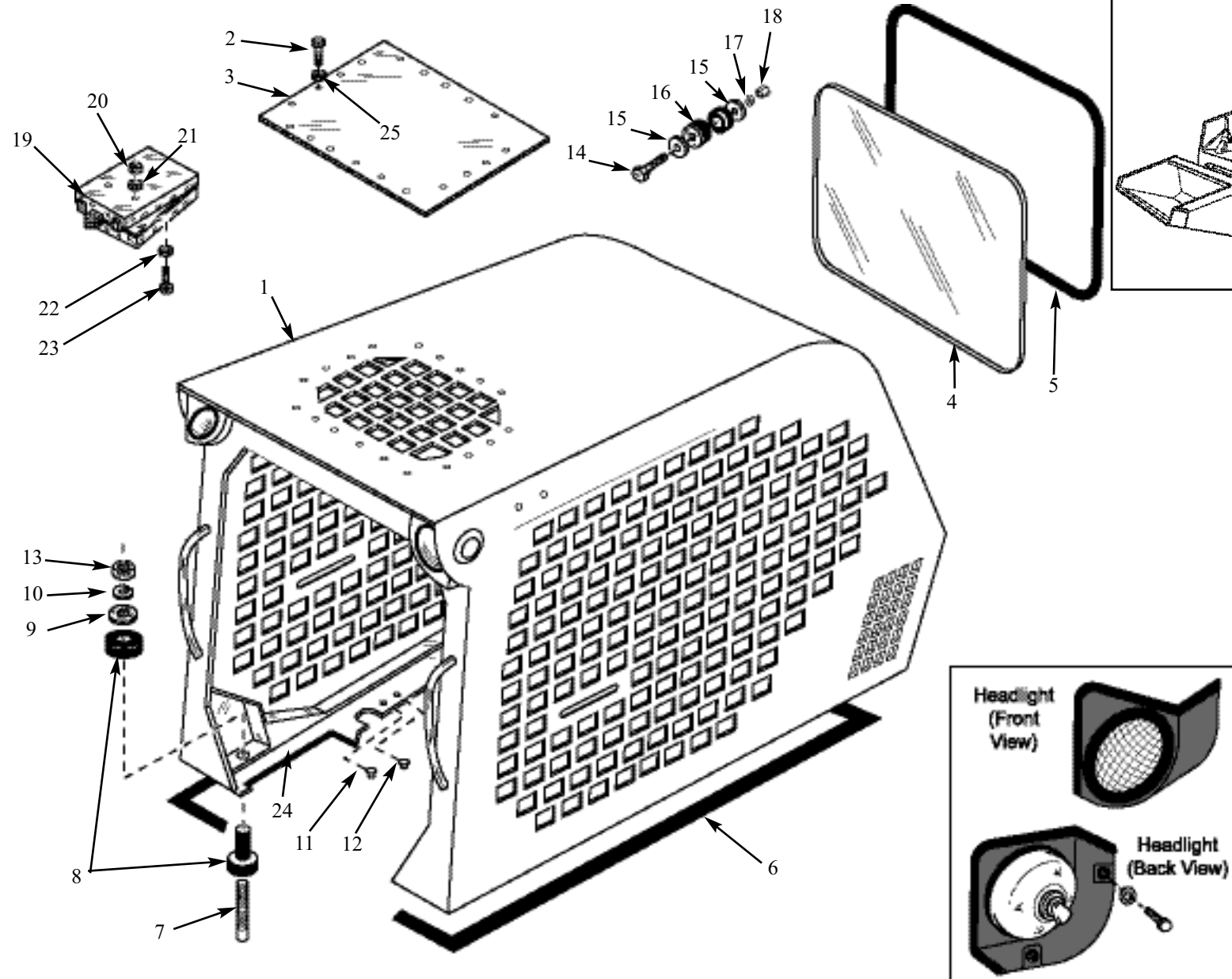
ITEM	PART	QTY	DESCRIPTION
1.	961696SP	1	Quick-Tach, Universal Assembly
2.	007458SP	2	Bolt, Hex
3.	043636SP	2	Pin (Hardened)
4.	016771SP	2	Nut, Nylok
5.	043634SP	2	Pin, Hardened Assy.
*	008613SP	2	Nut, Nylok
6	002010SP	4	Grease Fitting
7.	001458SP	2	Plug
8.	041290SP	1	Plate, Handle RH
*	041291SP	1	Plate, Handle LH
9.	041318SP	2	Bushing, Hardened
10.	040614SP	2	Bar, Square, Linkage Block
11.	020860SP	2	Nut, Hex
12.	042350SP	2	Bushing, Spring Stabilizer
13.	049281SP	2	Spring
14.	002011SP	2	Bolt, Hex
15.	961834SP	1	Pin, Lock Assy. RH
*	961833SP	1	Pin, Lock Assy. LH
16.	003321SP	2	Bolt, Hex
17.	022653SP	4	Bushing, Stabilizer Bar
18.	023385SP	4	Washer, Flat
19.	041392SP	2	Washer, Belleville Spring
20.	001680SP	2	Bolt, Hex
21.	020861SP	2	Washer, Lock

# LIFT ARMS and PIVOT PINS

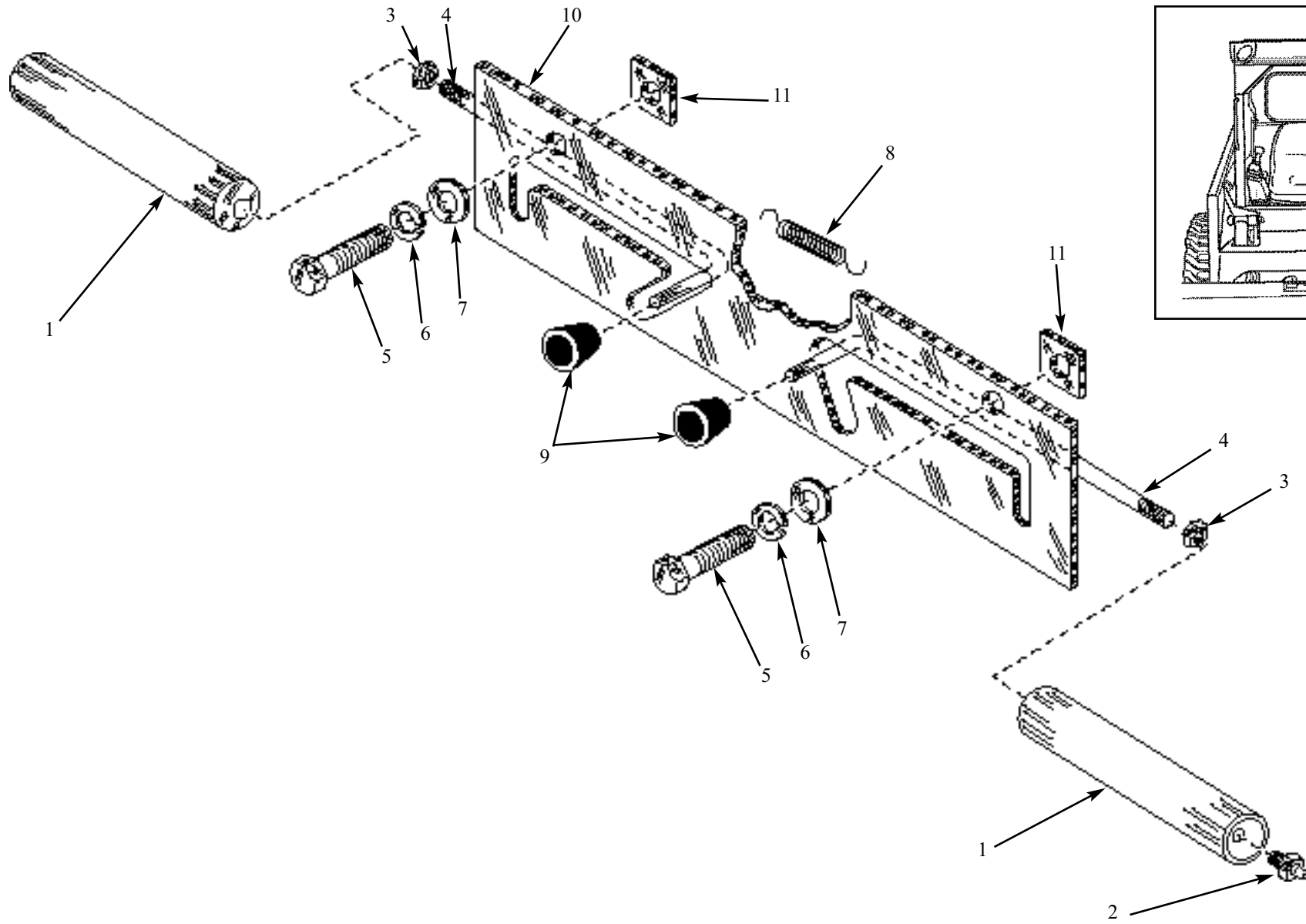


ITEM	PART	QTY	DESCRIPTION
1.	963926SP	1	Lift Arm, Painted Ass'y W/Decals
1.	963926SP	1	Lift Arms Welded Assembly
2.	043631SP	2	Bushing, Hardened
3.	043635SP	2	Pin, Hardened
4.	003322SP	2	Bolt
5.	007465SP	2	Lock Nut
6.	043637SP	2	Pin, Hardened
7.	007458SP	8	Bolt
8.	016771SP	8	Lock Nut
9.	043830SP	2	Pivot Pin
10.	043634SP	2	Pivot Pin, Hardened
11.	008613SP	2	Lock Nut
12.	002010SP	4	Grease Fitting
13.	043633SP	2	Bushing, Hardened
14.	043829SP	2	Pin, Hardened
15.	043636SP	2	Pivot Pin, Hardened

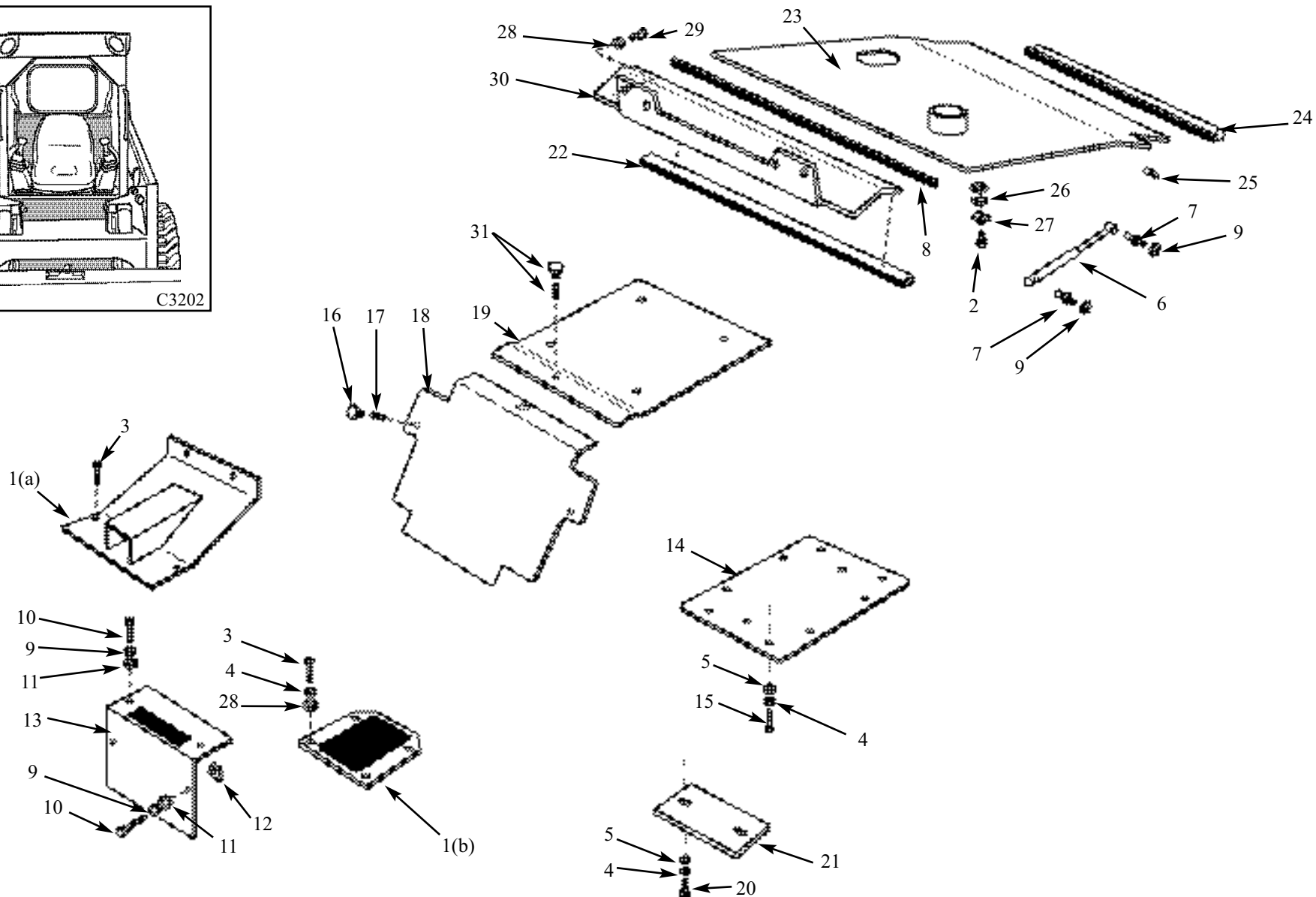
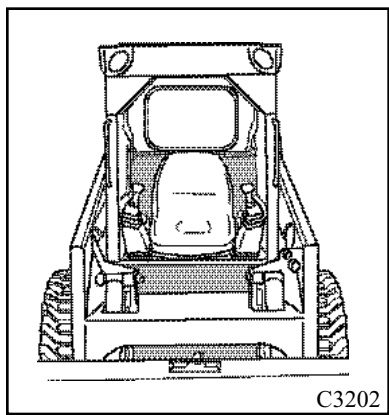




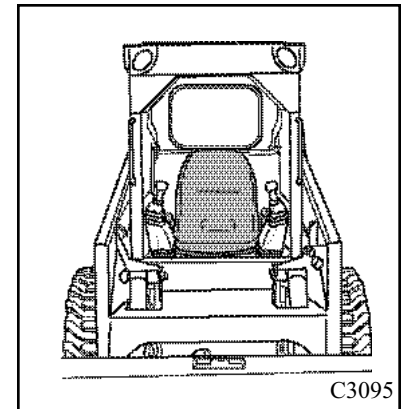
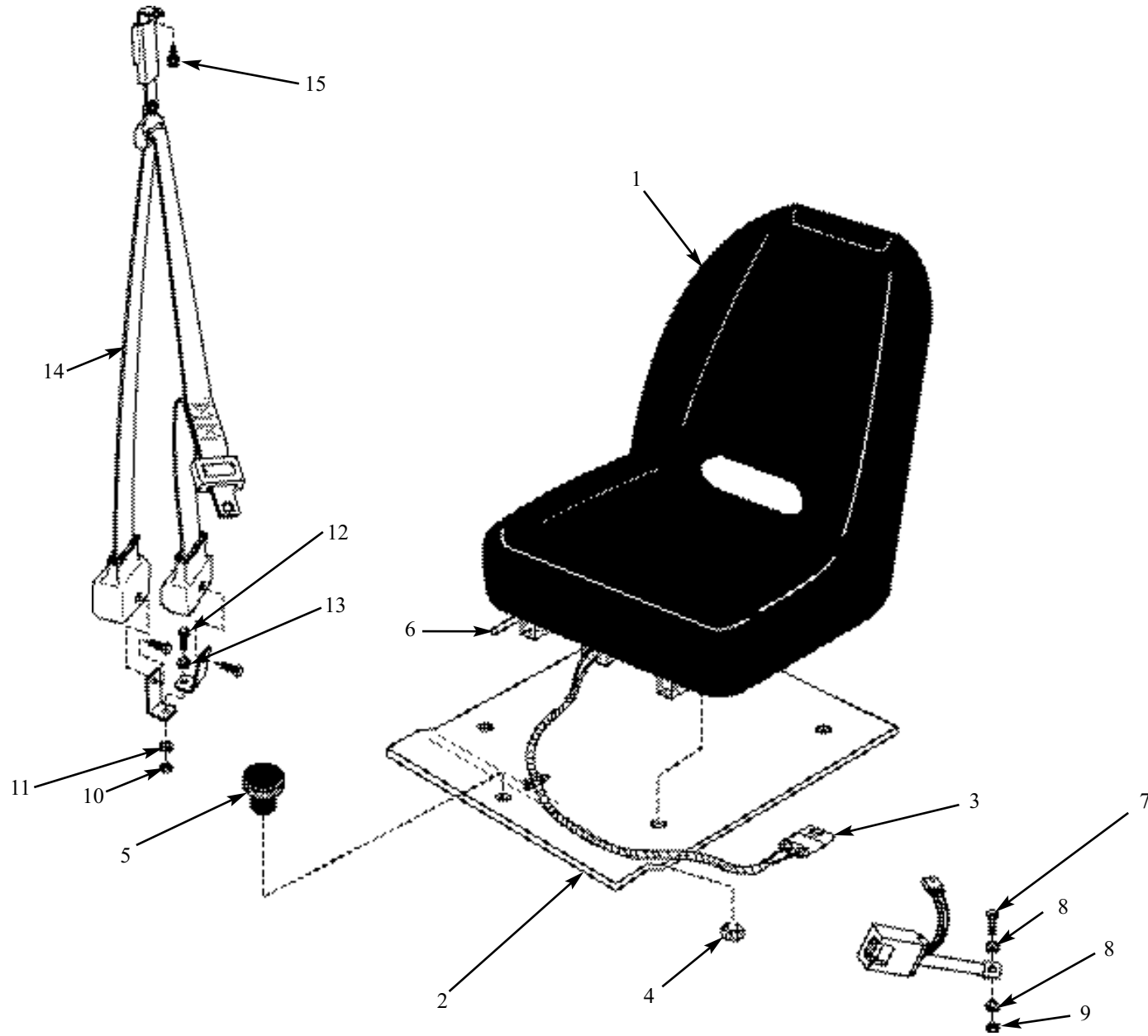
ITEM	PART	QTY	DESCRIPTION
1.	964868SP	1	ROPS Complete, Painted
1.	964597SP	1	ROPS Frame, Welded Assy (Rnd)
2.	031744SP	12	Screw, Hex Head
3.	037808SP	1	Window, Top
4.	046303SP	1	Window
5.	049739SP	6.25 ft	Weatherstrip, Two Piece Self Sealing
	049740SP	6.25 ft	Weatherstrip, Locking Strip
6.	000917SP	A / R	Weatherstrip (50 ft. roll)
7.	017633SP	4	Bar, ROPS Mounting Stud
8.	048942SP	4	Isolator, Neoprene
9.	023452SP	4	Snubbing Washer, ROPS
10.	001647SP	4	Washer, Lock
11.	039537SP	1	Plug, Buttonhole 7/16"
12.	039126SP	1	Plug, Buttonhole 1/2"
13.	016608SP	4	Nut, Nylok
14.	002898SP	1	Bolt, Hex
15.	020235SP	2	Washer, Snubbing
16.	048941SP	1	Isolator, Neoprene
17.	020861SP	1	Washer, Lock
18.	008613SP	1	Nut, Nylok
19.	040737SP	1	Manual Holder
20.	006645SP	3	Lock Nut
21.	018455SP	3	Washer
22.	001650SP	3	Washer
23.	005170SP	3	Bolt, Hex
24.	000820SP	28"	Edging, Vinyl
25.	018455SP	12	5/8" Washer



<b>ITEM</b>	<b>PART</b>	<b>QTY</b>	<b>DESCRIPTION</b>
1.	044061SP	2	Pin, Boom Support
2.	002010SP	2	Grease Fitting
3.	001350SP	2	Nut, Hex
4.	040337SP	2	Bar, Lock Pin Handle
5.	001190SP	2	Bolt, Hex
6.	001870SP	2	Washer, Lock
7.	001651SP	2	Washer, Flat
8.	042490SP	1	Spring
9.	039546SP	2	Knob, Tapered Red
10.	038797SP	1	Panel, Boom Support
11.	006086SP	2	Nut, Captive



ITEM	PART	QTY	DESCRIPTION
1(a).	963266SP	1	Step Shield Assy, Hand Controls
1(b).	044797SP	1	Sheet, Step Shield, Foot Operated Controls
2.	017422SP	2	Bolt, Hex
3.	002663SP	4	Bolt, Hex
4.	001642SP	14	Washer, Lock
5.	001643SP	14	Washer, Flat
6.	048924SP	1	Spring, Gas 100 lb.
7.	043005SP	2	Stud, Ball
8.	000820SP	A/R	Edging, Vinyl
9.	001870SP	8	Washer, Lock
10.	001190SP	8	Bolt, Hex
11.	001651SP	8	Washer, Flat
12.	006086SP	4	Nut, Captive
13.	025762SP	1	Shield, Front Step
14.	047150SP	1	Plate, Rear Access Cover
15.	001387SP	8	Bolt, Hex
16.	041791SP	2	Knob, Black w/ Brass Insert
17.	041704SP	2	Bar, Stud
18.	963884SP	1	Front Bulkhead Assembly
19.	963883SP	1	Sheet, Seat Mount
20.	001193SP	2	Bolt, Hex
21.	032070SP	1	Sheet, Clean Up Cover
22.	015931SP	per/ft	Foam weather strip
23.	964539SP	1	Engine Cover Assembly
24.	000821SP	A/R	Molding, Trim Seal
25.	000261SP	per/ft	Hose
26.	039557SP	4	Clamp, Tube Single
27.	039556SP	2	Plate, Cover Single
28.	001650SP	4	Washer, Flat
29.	031744SP	4	Screw, Hex Head
30.	051203SP	1	Sheet, Rear Shield
31.	042070SP	1	Knob With Stud

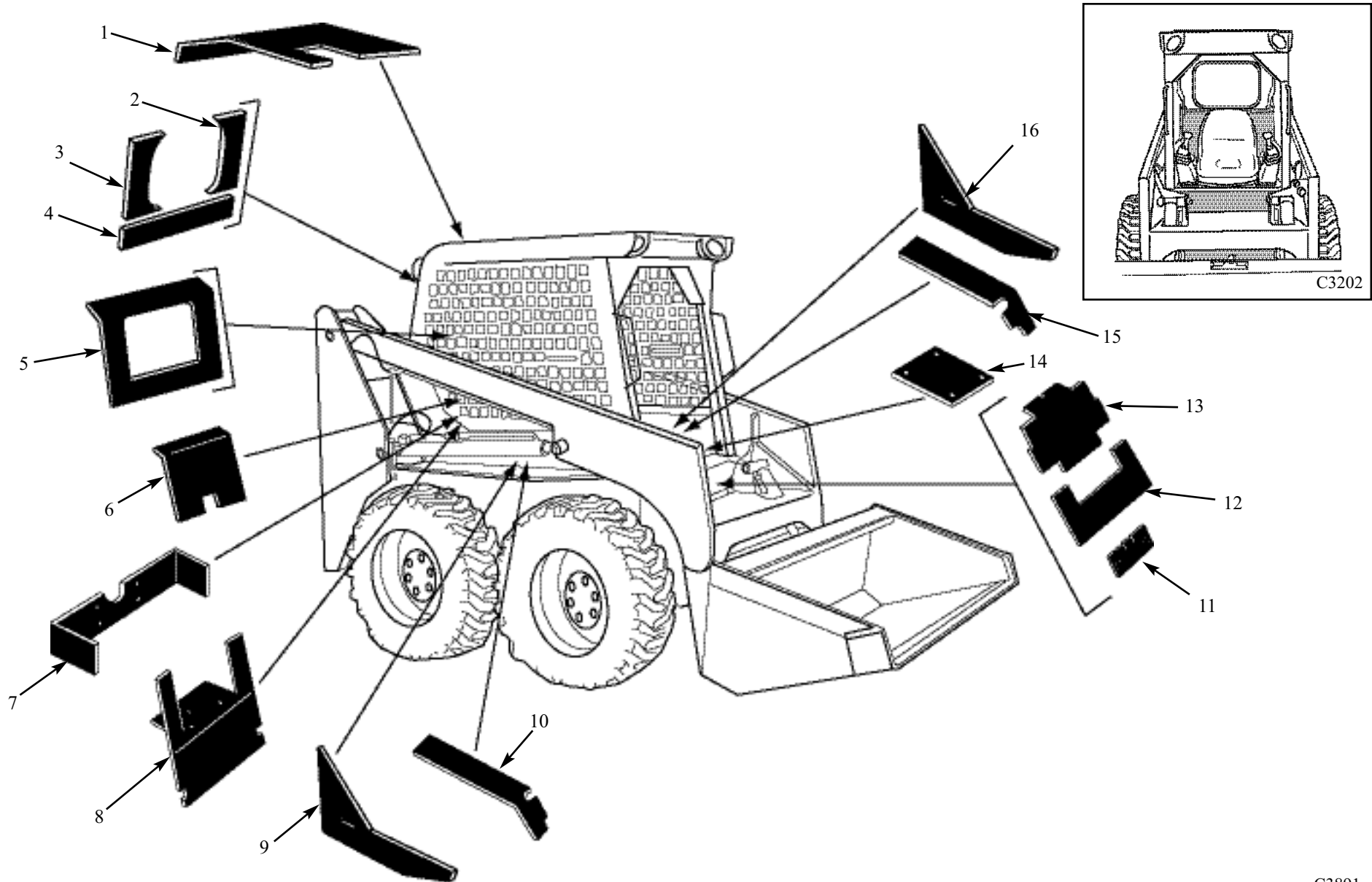


ITEM	PART	QTY	DESCRIPTION
1.	047523SP	1	Suspension Seat, Assembly w/o Logo
2.	963883SP	1	Sheet, Seat Mount Ass'y
3.	039904SP	1	Harness, Seat Switch Wire
4.	038516SP	1	Switch, Seat
5.	042070SP	1	Knob, Black w/ Stud
6.	042931SP	1	Adjusters, Seat Rail Assy.
7.	001193SP	2	Bolt, Hex
8.	001643SP	2	Washer, Flat
9.	007465SP	1	Nut, Nylok
10.	007465SP	1	Nut, Nylok
11.	001643SP	1	Washer, Flat
12.	001387SP	1	Bolt, Hex. 3/8" x 1 1/4"
13.	001643SP	1	Washer, Flat
14.	049047SP	1	Belt, Safety 2" 3 Point Retractable w/Safety Wiring
15.	043560SP	1	Bolt, Hex Flange 1/2 x 1 1/2



# INSULATION (Standard)

1.9 (A)

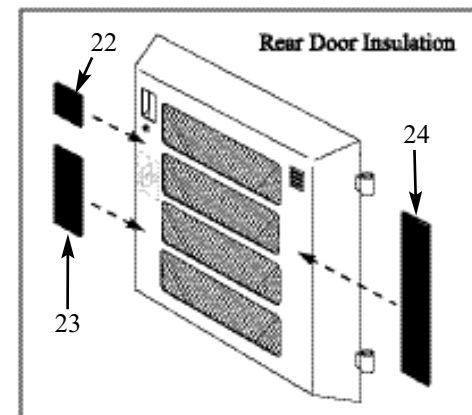
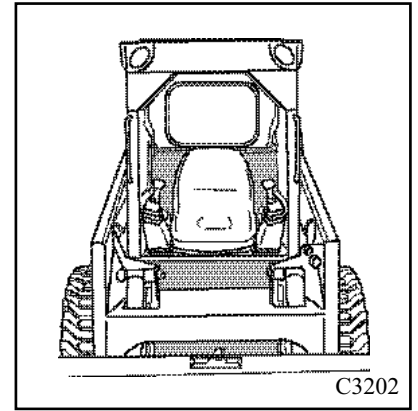
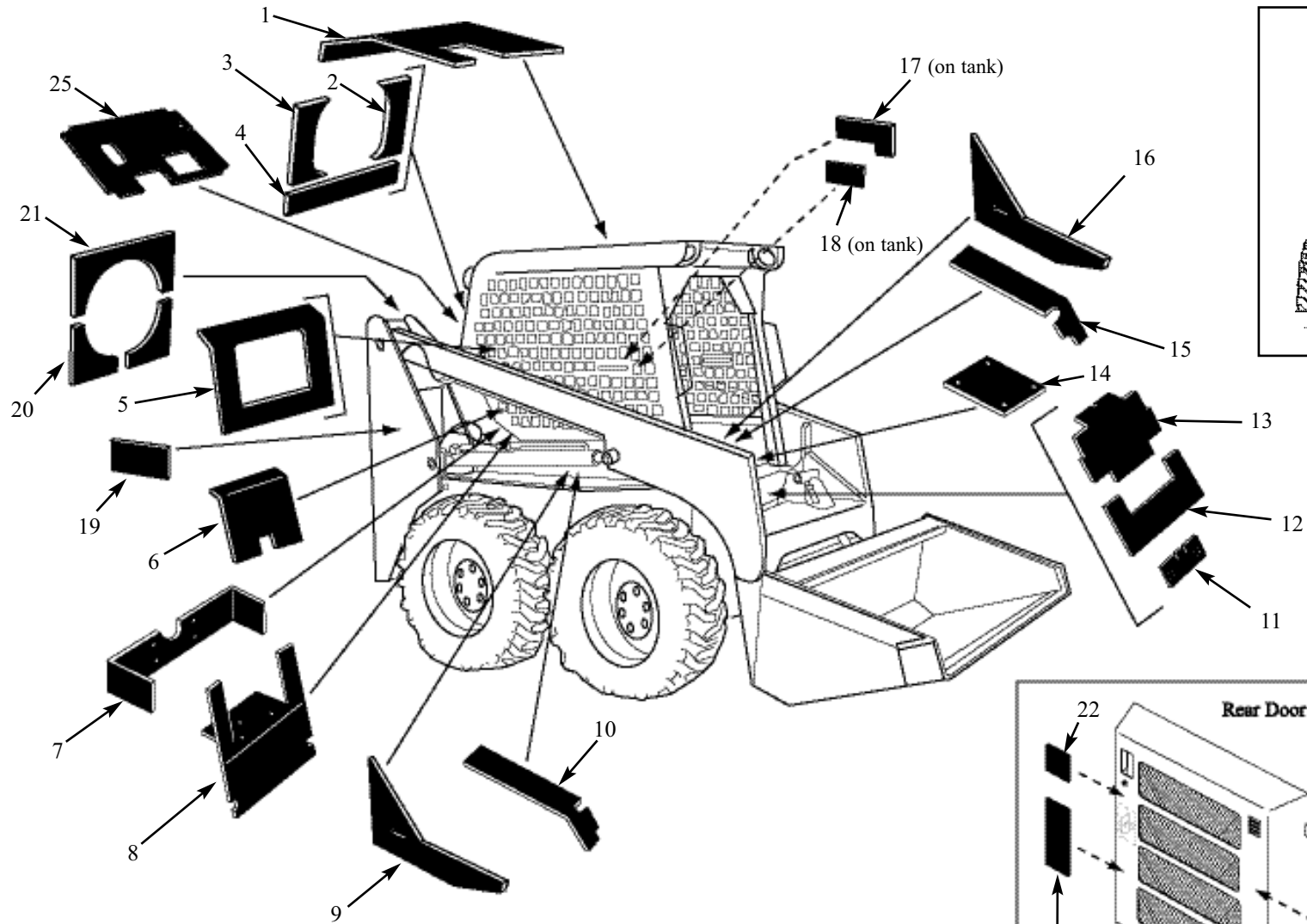


ITEM	PART	QTY	DESCRIPTION
1.	049052SP	1	Insulation, Headliner (*In Optional Kit)
2.	047394SP	1	Insulation, Left Rear Cornerpost (*In Optional Kit)
3.	047395SP	1	Insulation, Right Rear Cornerpost (*In Optional Kit)
4.	047393SP	1	Insulation, Lower Rear Window Panel (*In Optional Kit)
5.	048023SP	1	Insulation, Back Panel (*In Optional Kit)
6.	047392SP	1	Insulation, Battery Compartment Cover (*In Optional Kit)
7.	047412SP	1	Insulation, Outer Blanket
8.	047411SP	1	Insulation, Battery Box Blanket
9.	048022SP	1	Insulation, Right Side Panel (*In Optional Kit)
10.	047410SP	1	Insulation, ROPS Shield RH
11.	047965SP	1	Insulation, Front Frame
12.	047964SP	1	Insulation, Front Shield
13.	047406SP	1	Insulation, Front Bulkhead
14.	047404SP	1	Insulation, Seat Mount
15.	047409SP	1	Insulation, ROPS Shield LH
16.	048021SP	1	Insulation, Left Side Panel (*In Optional Kit)

\* Items in the optional Cab Liner Kit are also listed in Section 8.24.

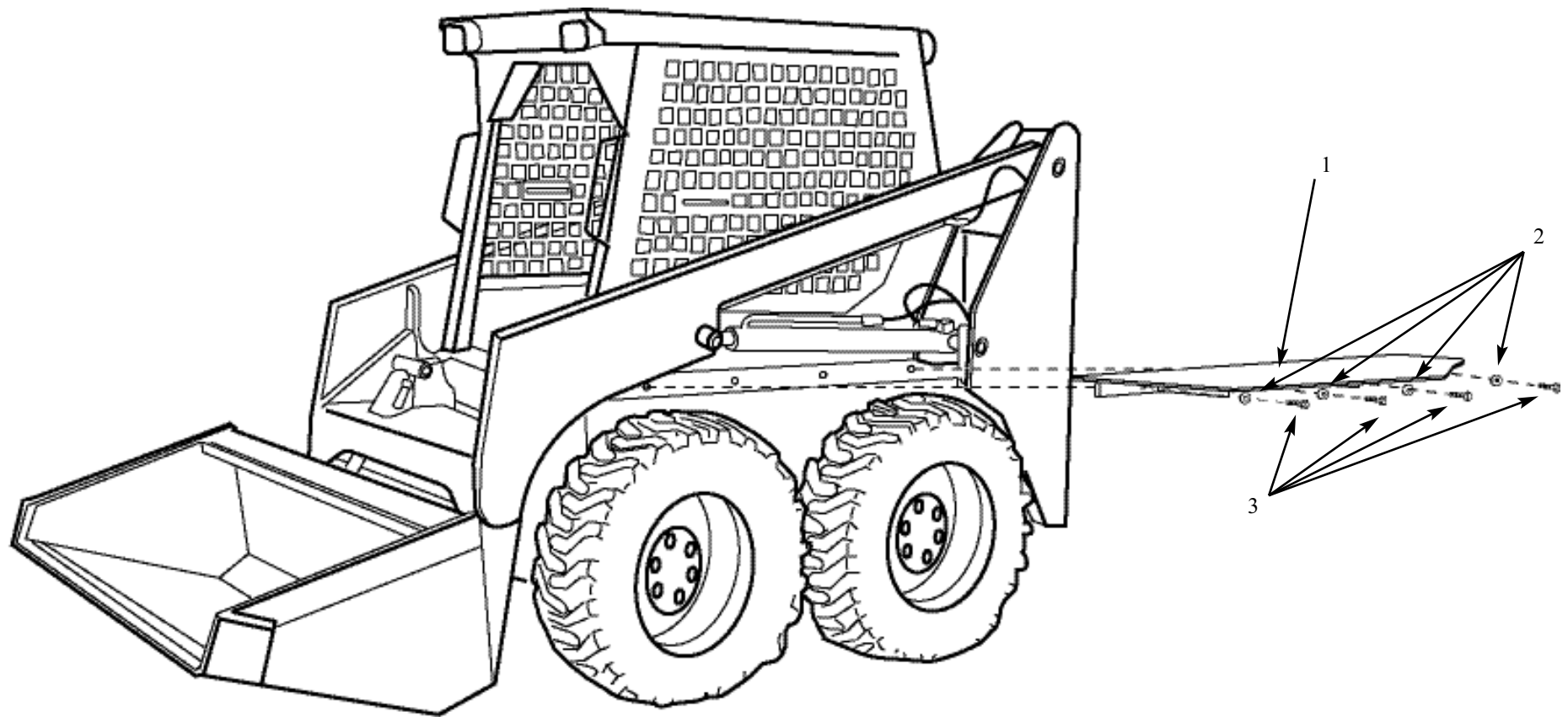
# INSULATION (CE Models)

1.9 (B)



C4051

ITEM	PART	QTY	DESCRIPTION
1.	049052SP	1	Insulation, Headliner
2.	047394SP	1	Insulation, Left Rear Cornerpost
3.	047395SP	1	Insulation, Right Rear Cornerpost
4.	047393SP	1	Insulation, Lower Rear Window Panel
5.	048023SP	1	Insulation, Back Panel
6.	047392SP	1	Insulation, Battery Compartment Cover
7.	047412SP	1	Insulation, Outer Blanket
8.	047411SP	1	Insulation, Battery Box Blanket
9.	048022SP	1	Insulation, Right Side Panel
10.	047410SP	1	Insulation, ROPS Shield RH
11.	047965SP	1	Insulation, Front Frame
12.	047964SP	1	Insulation, Front Shield
13.	047406SP	1	Insulation, Front Bulkhead
14.	047404SP	1	Insulation, Seat Mount
15.	047409SP	1	Insulation, ROPS Shield LH
16.	048021SP	1	Insulation, Left Side Panel
17.	049255SP	1	Insulation, Tank LH
18.	049256SP	1	Insulation, Cover Oil Tank
19.	049254SP	1	Insulation, Tank RH
20.	049263SP	2	Insulation, Shroud Bottom
21.	049262SP	1	Insulation, Shroud Top
22.	049257SP	1	Insulation, Rear Door LH Top
23.	049258SP	1	Insulation, Rear Door LH Bottom
24.	049259SP	1	Insulation, Rear Door RH
25.	049253SP	1	Insulation, Engine Cover



ITEM	PART	QTY	DESCRIPTION
*	<b>U-3062</b>	<b>1</b>	<b>Kit, Fenders:</b>
1.	964606SP	1	Fender, Welded Assy - LH
*	964605SP	1	Fender, Welded Assy - RH
2.	001361SP	6	Washer, Flat 5/8
3.	044103SP	6	Bolt, Hex Flange 1/2 x 3/4

# WHEELS and TIRES

1.11

PART	QTY	DESCRIPTION
<b>963425SP</b>	<b>1</b>	<b>Kit, Tire 12 x 16.5, 2000 Series</b>
<b>046438SP</b>	<b>2</b>	<b>Wheel &amp; Tire Assy RH, 12 x 16.5, 8 Bolt</b>
046435SP	1	Tire, 12 x 16.5 2000 Series 8 Ply Tubeless
029064SP	1	Wheel, 9.750 x 16.50 8 Bolt Negative (-) 2.25"
007019SP	1	Stem, Valve, Tubeless
<b>046439SP</b>	<b>2</b>	<b>Wheel &amp; Tire Assy LH, 12 x 16.5, 8 Bolt</b>
046435SP	1	Tire, 12 x 16.5 2000 Series 8 Ply Tubeless
029064SP	1	Wheel, 9.750 x 16.50 8 Bolt Negative (-) 2.25"
007019SP	1	Stem, Valve, Tubeless
<b>005832SP</b>	<b>32</b>	<b>Nut, Wheel</b>

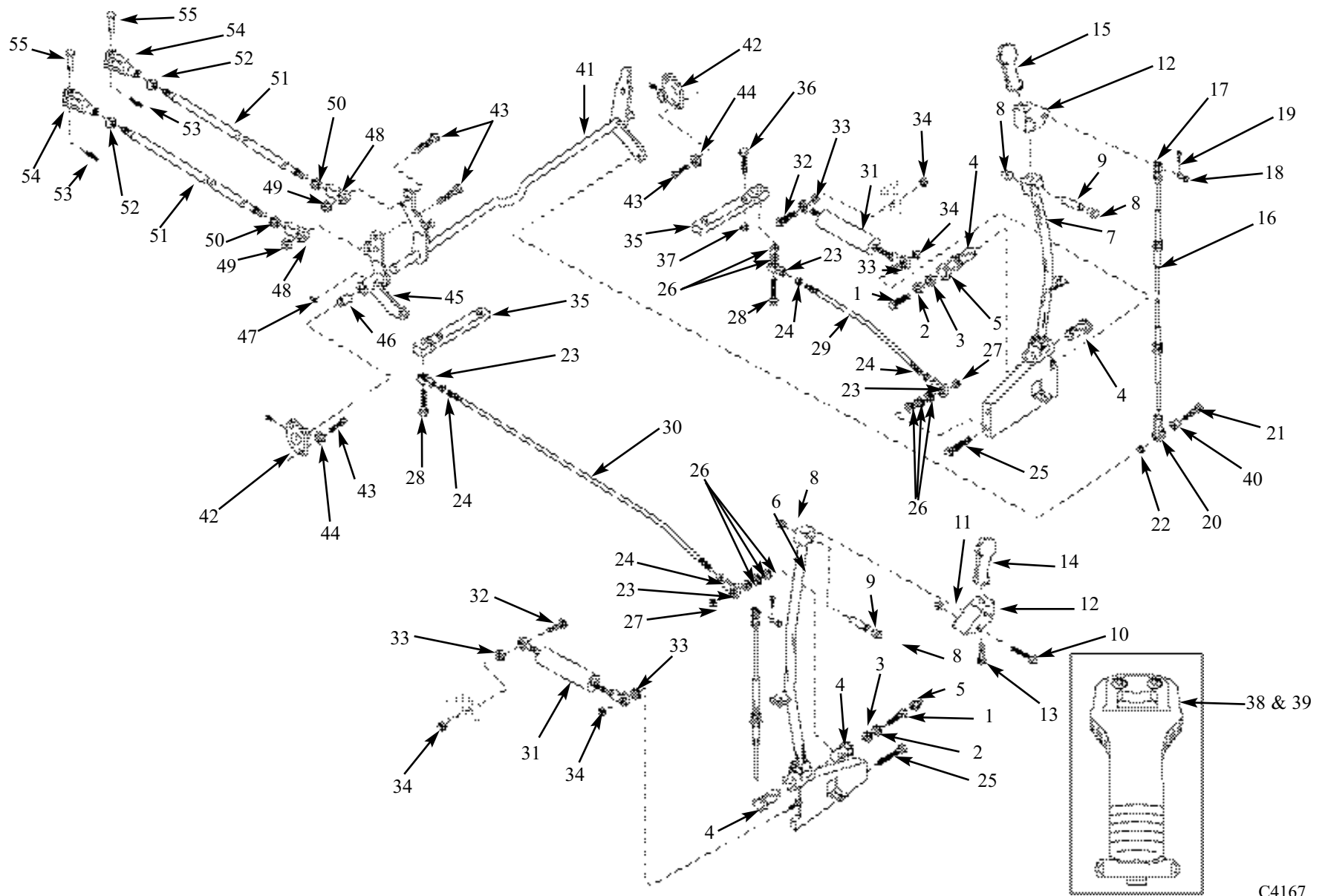
## 2. CONTROLS

Control Levers - Hand Controls.....	2.1(A)
Control Levers - Hand and Foot Controls.....	2.1(B)
Foot Pedals - Hand and Foot Controls.....	2.2
Throttle.....	2.3
Restraint Bar.....	2.4



# CONTROL LEVERS - Hand Controls

2.1(A)

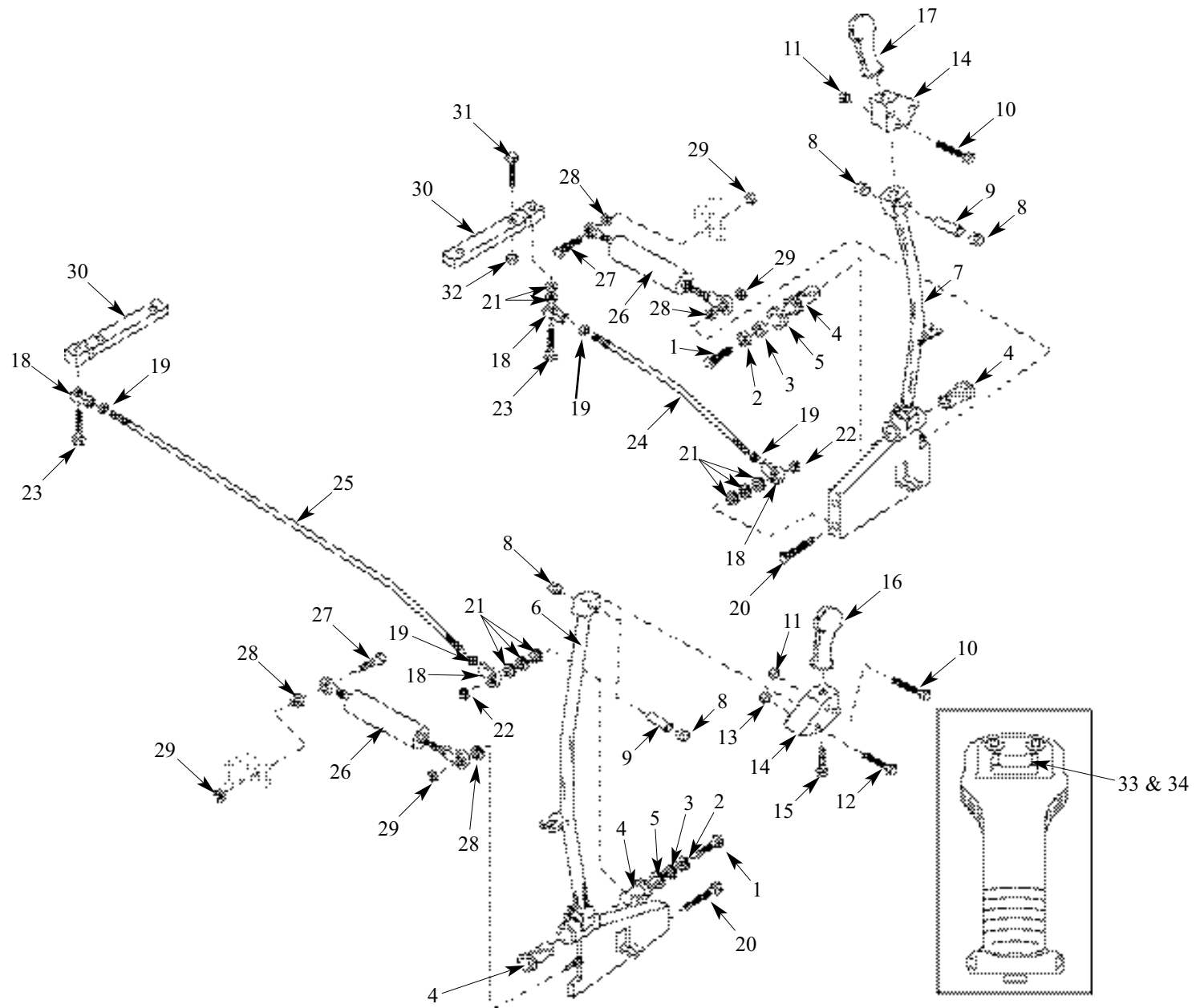


C4167

ITEM	PART	QTY	DESCRIPTION	ITEM	PART	QTY	DESCRIPTION
1.	051155SP	2	Lever Retainer	40.	051108SP	1	Bar, Spacer
2.	023385SP	2	Washer, Flat 1/2	41.	964535SP	1	Assembly, Control Cross Shaft
3.	020861SP	2	Washer, Lock 1/2	42.	044979SP	2	Bearing, Flanged, 2-Bolt
4.	044347SP	4	Bushing, Flange 1" ID Nylon Split	43.	002580SP	6	Bolt, Hex 5/16" x 1 1/4"
5.	002010SP	2	Grease Fitting	44.	001870SP	4	Washer, Lock 5/16"
6.	963349SP	1	Lever, RH Control Welded Assembly	45.	963900SP	1	Activator, RH Assembly
7.	963348SP	1	Lever, LH Control Welded Assembly	46.	047760SP	2	Bronze Bushing
8.	044348SP	4	Bushing, Flange 7/16 x 9/16 Oilite	47.	035449SP	1	Grease Fitting
9.	044349SP	2	Tube, Handle Spacer	48.	026174SP	2	Rod End Assembly
10.	001677SP	2	Bolt, Hex 5/16" x 2"	49.	016771SP	2	Nut, Nylok, Hex 5/16"
11.	016771SP	2	Nut, Nylok, Hex 5/16"	50.	001626SP	2	Nut, Hex 5/16"
12.	962874SP	2	Lever Base Welded Assembly	51.	051013SP	2	Bar, Valve Control Rear
13.	044513SP	2	Bolt, Ergonomic Handle (With Hole)	52.	005405SP	2	Nut, Hex 1/4"
	046353SP	2	Bolt, Hex (No Hole)	53.	001630SP	2	Pin, Cotter
14.	044181SP	1	Handle, Ergonomic Plain	54.	035884SP	2	Clevis
15.	044182SP	1	Handle, Ergonomic w/Rocker & 2 PB Switches	55.	030044SP	2	Pin, Clevis
16.	049089SP	2	Cable, Push/Pull 31"	*	044384SP	1	Sheet, Lever Boot Cover RH
17.	035884SP	2	Clevis, 1/4" Pin	*	044385SP	1	Sheet, Lever Boot Cover LH
18.	030044SP	2	Pin, Clevis 1/4" x 3/4"	*	051126SP	2	Boot, Rubbber Bellows, Control Lever
19.	001630SP	2	Pin, Cotter 1/16" x 3/4"				
20.	035883SP	2	Rod End Assembly				
21.	005170SP	1	Bolt, Hex 1/4" x 1 - RH				
	002454SP	1	Bolt, Hex 1/4 x 1 1/2" - LH	* Items not shown.			
22.	006645SP	2	Nut, Nylok 1/4"	** Hand Controls standard on CE models.			
23.	042207SP	4	Rod End Assembly				
24.	005406SP	4	Nut, Hex 7/16"				
25.	002443SP	2	Bolt, Hex 7/16" 1 1/4"				
26.	006394SP	10	Washer, Lock 7/16"				
27.	043384SP	2	Nut, Nylok 7/16"				
28.	002008SP	2	Hex, Bolt 7/16" x 2"				
29.	046299SP	1	Bar, CF RD Linkage LH				
30.	046300SP	1	Bar, CF RD Linkage RH				
31.	959073SP	2	Hydroback Assembly				
32.	001672SP	2	Bolt, Hex 3/8" 1 1/2"				
33.	021174SP	4	Washer, 3/8" x 5/8"				
34.	007465SP	4	Nut, Nylok 3/8				
35.	963344SP	2	Pintle Lever Assembly				
36.	001677SP	4	Bolt, Hex 5/16" x 2"				
37.	016771SP	4	Nut, Nylok, Hex 5/16"				
38.	048467SP	1	Switch, Rocker				
39.	048468SP	1	Cover, Rocker Switch Rubber				

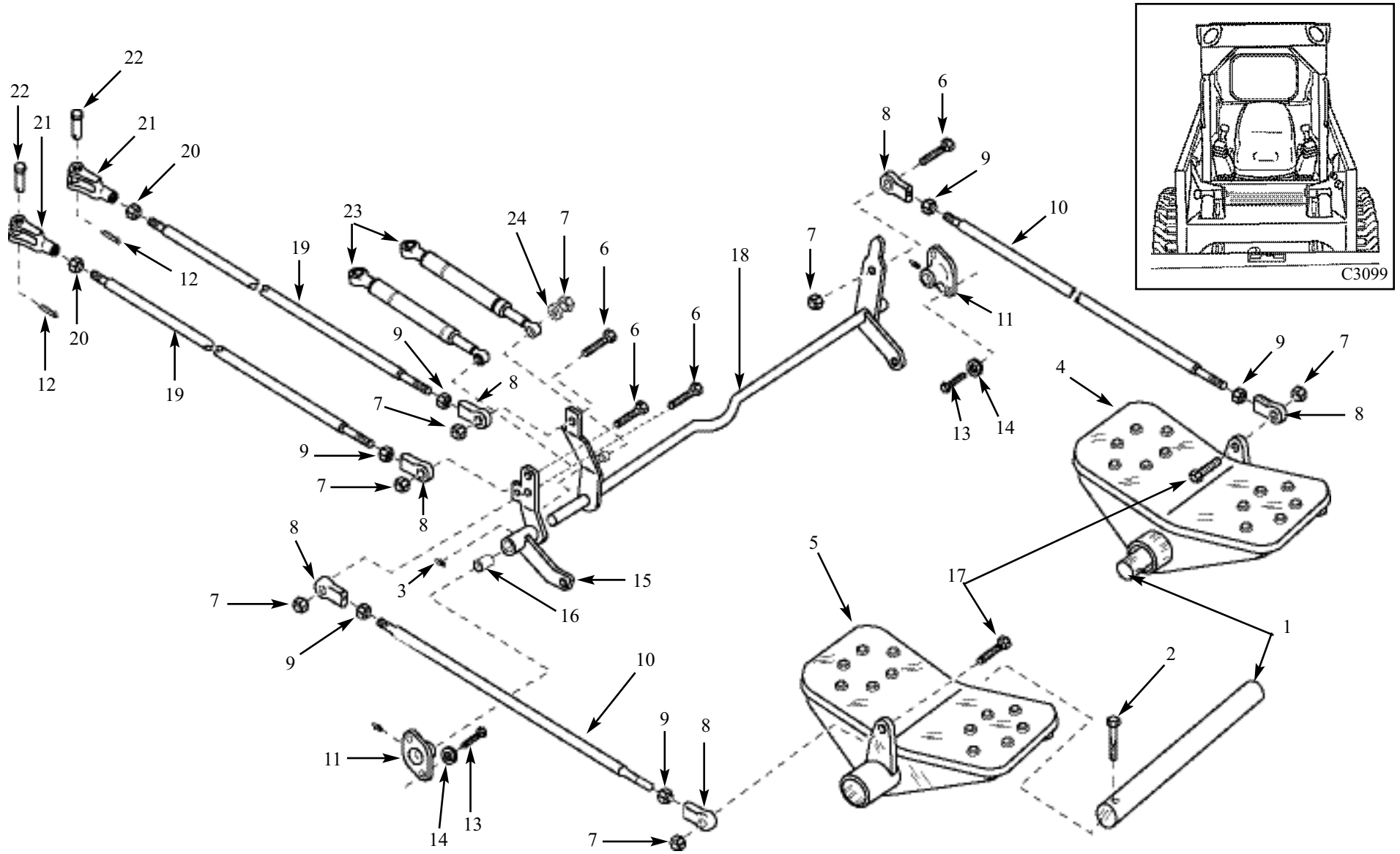
# CONTROL LEVERS - Hand and Foot Controls

2.1(B)



ITEM	PART	QTY	DESCRIPTION
1.	051155SP	2	Lever Retainer
2.	023385SP	2	Washer, Flat 1/2
3.	020861SP	2	Washer, Lock 1/2
4.	044347SP	4	Bushing, Flange 1" ID Nylon Split
5.	002010SP	2	Grease Fitting
6.	963349SP	1	Lever, RH Control Welded Assembly
7.	963348SP	1	Lever, LH Control Welded Assembly
8.	044348SP	4	Bushing, Flange 7/16 x 9/16 Oilite
9.	044349SP	2	Tube, Handle Spacer
10.	025589SP	2	Bolt, Hex 1/4 x 1 3/4
11.	023772SP	2	Nut, Jam, Locking 1/4
12.	001677SP	2	Bolt, Hex, 5/16 x 2
13.	016771SP	2	Nut, Nylok, Hex 5/16
14.	962874SP	2	Lever Base Welded Assembly
15.	044513SP	2	Bolt, Ergonomic Handle (With Hole)
	046353SP	2	Bolt, Hex (No Hole)
16.	044181SP	1	Handle, Ergonomic Plain
17.	044182SP	1	Handle, Ergonomic w/Rocker & 2 PB Switches
18.	042207SP	4	Rod End Assembly (Hand Control Loaders)
19.	005406SP	4	Nut, Hex 7/16
20.	002443SP	2	Bolt, Hex 7/16 x 1 1/4
21.	006394SP	10	Washer, Lock 7/16
22.	043384SP	2	Nut, Nylok 7/16"
23.	002008SP	2	Hex, Bolt 7/16 x 2
24.	046299SP	1	Bar, CF RD Linkage LH
25.	046300SP	1	Bar, CF RD Linkage RH
26.	959073SP	2	Hydroback Assembly
27.	001672SP	2	Bolt, Hex 3/8 x 1 1/2
28.	021174SP	4	Washer, 3/8 x 5/8
29.	007465SP	4	Nut, Nylok 3/8
30.	963344SP	2	Pintle Lever Assembly
31.	001677SP	4	Bolt, Hex 5/16 x 2
32.	016771SP	4	Nut, Nylok, Hex 5/16
33.	048467SP	1	Switch, Rocker
34.	048468SP	1	Cover, Rocker Switch Rubber
*	044384SP	1	Sheet, Lever Boot Cover RH
*	044385SP	1	Sheet, Lever Boot Cover LH
*	051126SP	2	Boot, Rubber Bellows, Control Lever

\* Items not shown.

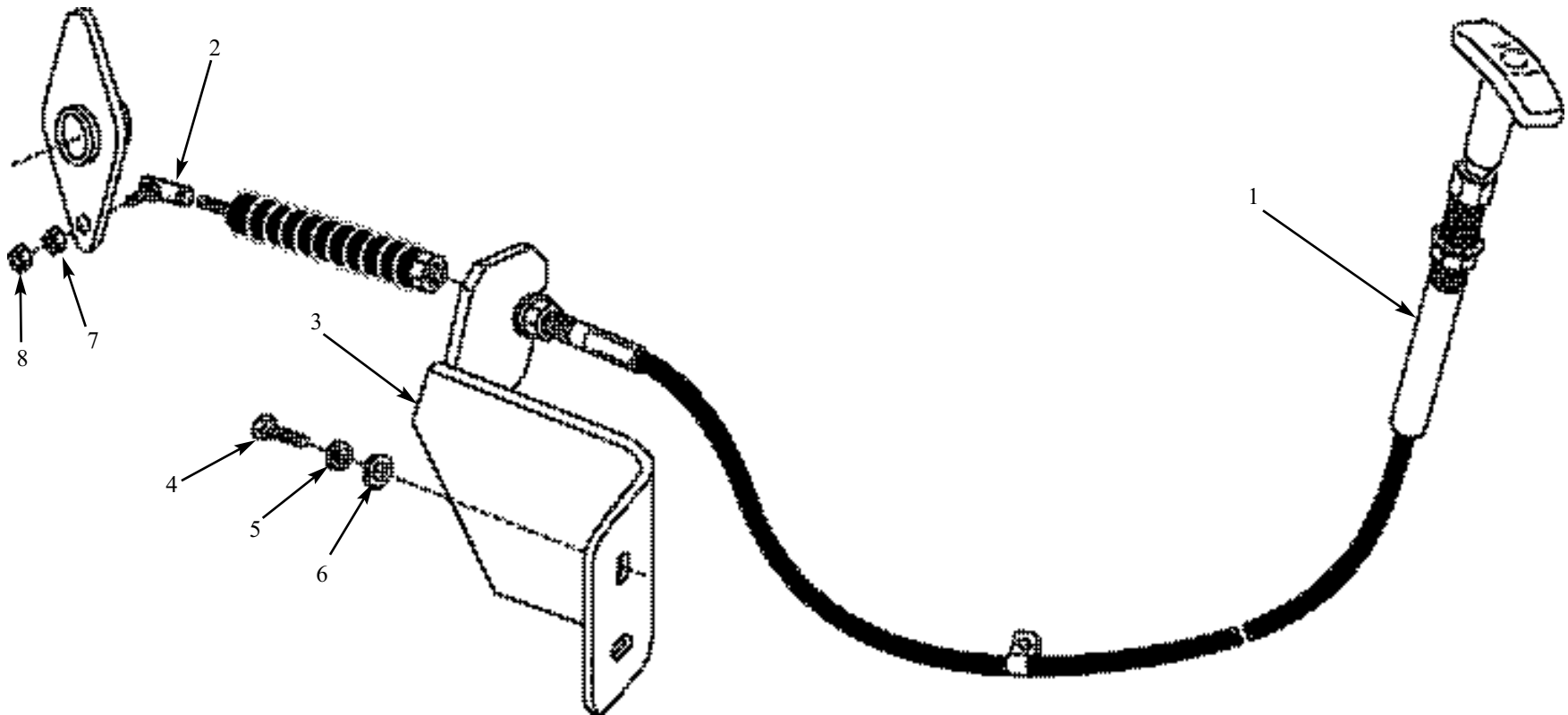
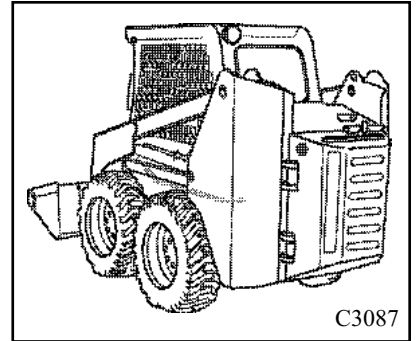


ITEM	PART	QTY	DESCRIPTION
1.	044789SP	2	Bar, Foot Pedal Shaft
2.	046106SP	2	Screw
3.	035449SP	1	Grease fitting
4.	965495SP	1	Pedal, Lift Assy.
5.	965496SP	1	Pedal, Tilt Assy.
6.	002580SP	4	Bolt, Hex
7.	016771SP	8	Nut, Nylok
8.	026174SP	6	Rod End Assy.
9.	001626SP	6	Nut, Hex
10.	051014SP	2	Bar, Valve Control Front
11.	044979SP	2	Bearing, Flanged, 2-Bolt
12.	001630SP	2	Pin, Cotter
13.	002580SP	4	Bolt, Hex
14.	001870SP	4	Washer, Lock
15.	963900SP	1	Activator, RH Assy.
16.	047760SP	2	Bronze Bushing
17.	046159SP	2	Bolt, Carriage
18.	964535SP	1	Assy, Control Cross Shaft
19.	051013SP	2	Bar, Valve Control Rear
20.	005405SP	2	Nut
21.	035884SP	2	Clevis
22.	030044SP	2	Pin, Clevis
23.	047371SP	2	Dampener, Self Centering
24.	001870SP	2	Lock Washer
*	001364SP	1	Bolt, Hex (Rear Limiter Bolt)
*	023901SP	1	Bolt, Hex (Front Limiter Bolt)
*	001194SP	2	Nut, Hex (for Limiter Bolts)

\* Items not shown in diagram.

# THROTTLE

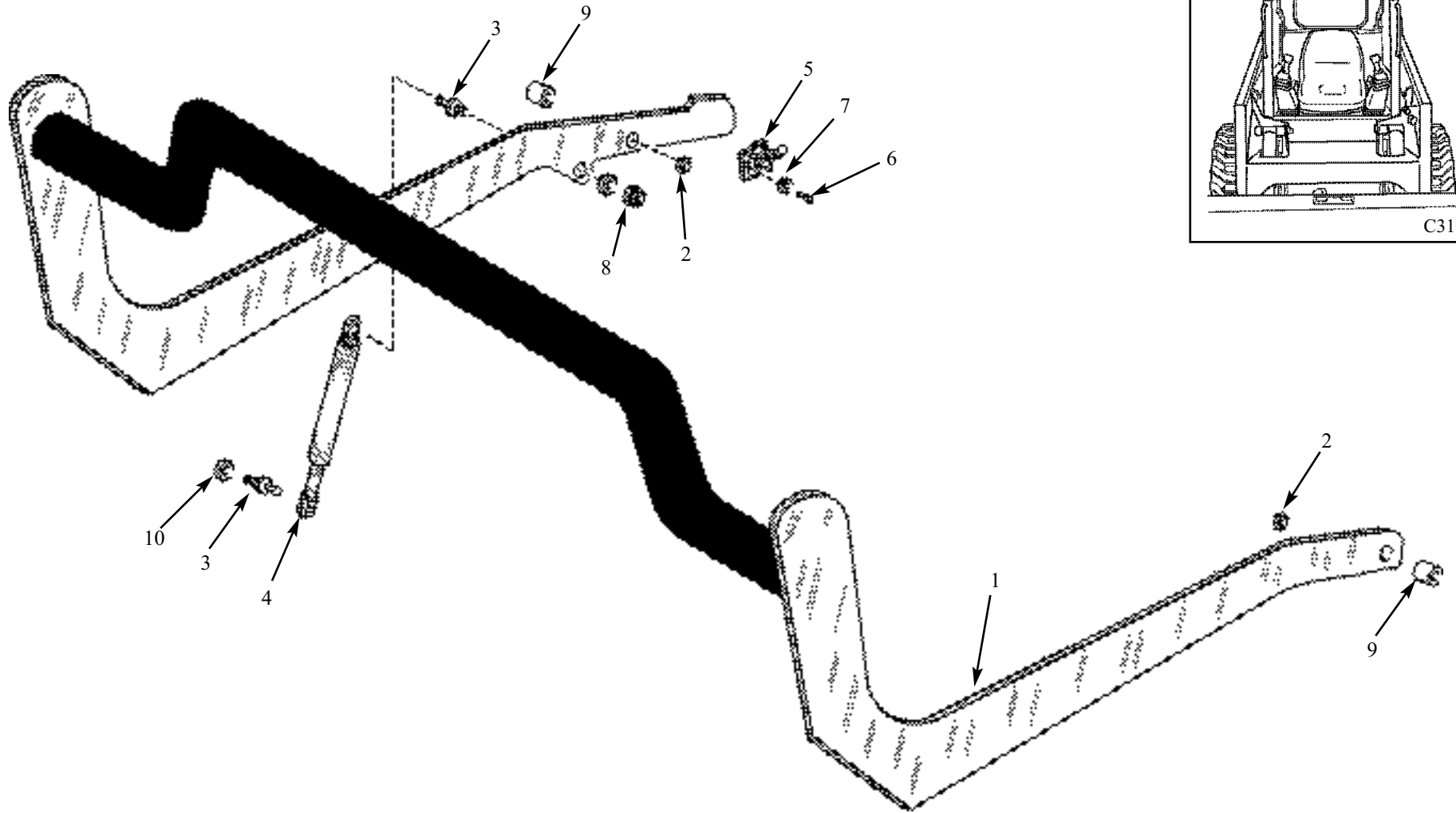
2.3



C3343

<b>ITEM</b>	<b>PART</b>	<b>QTY</b>	<b>DESCRIPTION</b>
1.	043840SP	1	Cable, Turn-to-Lock 68"
2.	042047SP	1	Joint, Ball Socket
3.	963108SP	1	Throttle Bracket Assy.
4.	024790SP	2	Bolt, Hex
5.	021028SP	2	Washer, Lock
6.	001643SP	2	Washer, Flat
7.	001350SP	1	Nut
8.	023772SP	1	Nut, Jam





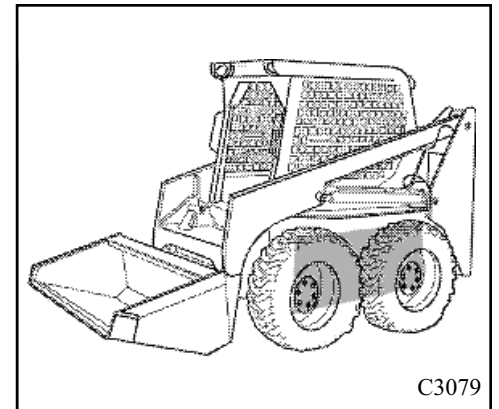
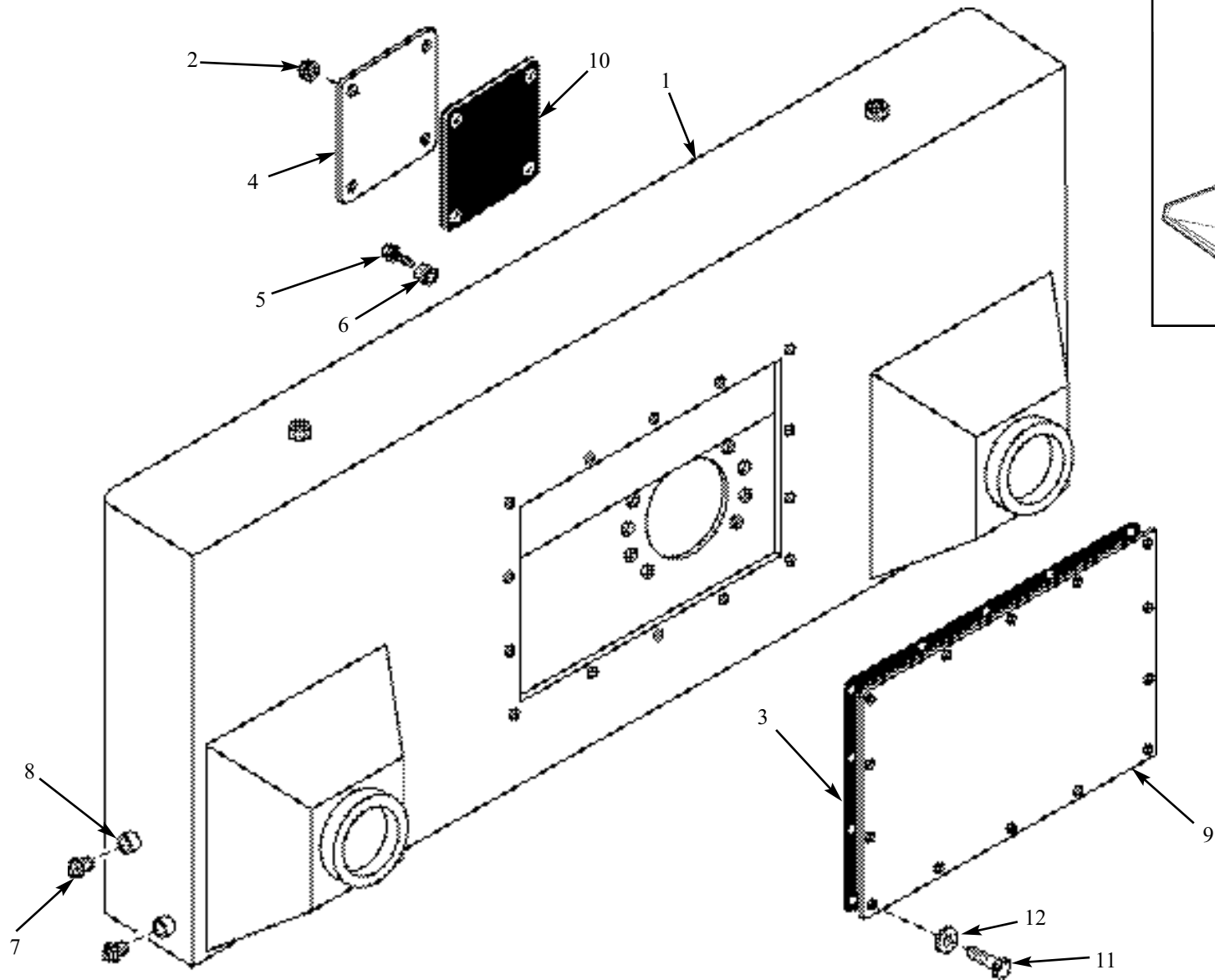
<b>ITEM</b>	<b>PART</b>	<b>QTY</b>	<b>DESCRIPTION</b>
1.	964600SP	1	Restraint Bar Assy.
2.	008613SP	2	Nut, Nylok
3.	043005SP	2	Stud, Ball
4.	043004SP	1	Gas, Spring
5.	042950SP	1	Switch, Dual
6.	023194SP	2	Screw, Machine
7.	002811SP	2	Washer, Lock
8.	026172SP	1	Nut, Jam
9.	040320SP	2	Spacer
10.	001870SP	1	Lockwasher

### 3. FINAL DRIVE TRANSMISSION

Transmission Housing.....	3.1
Axle Assembly .....	3.2

# TRANSMISSION HOUSING

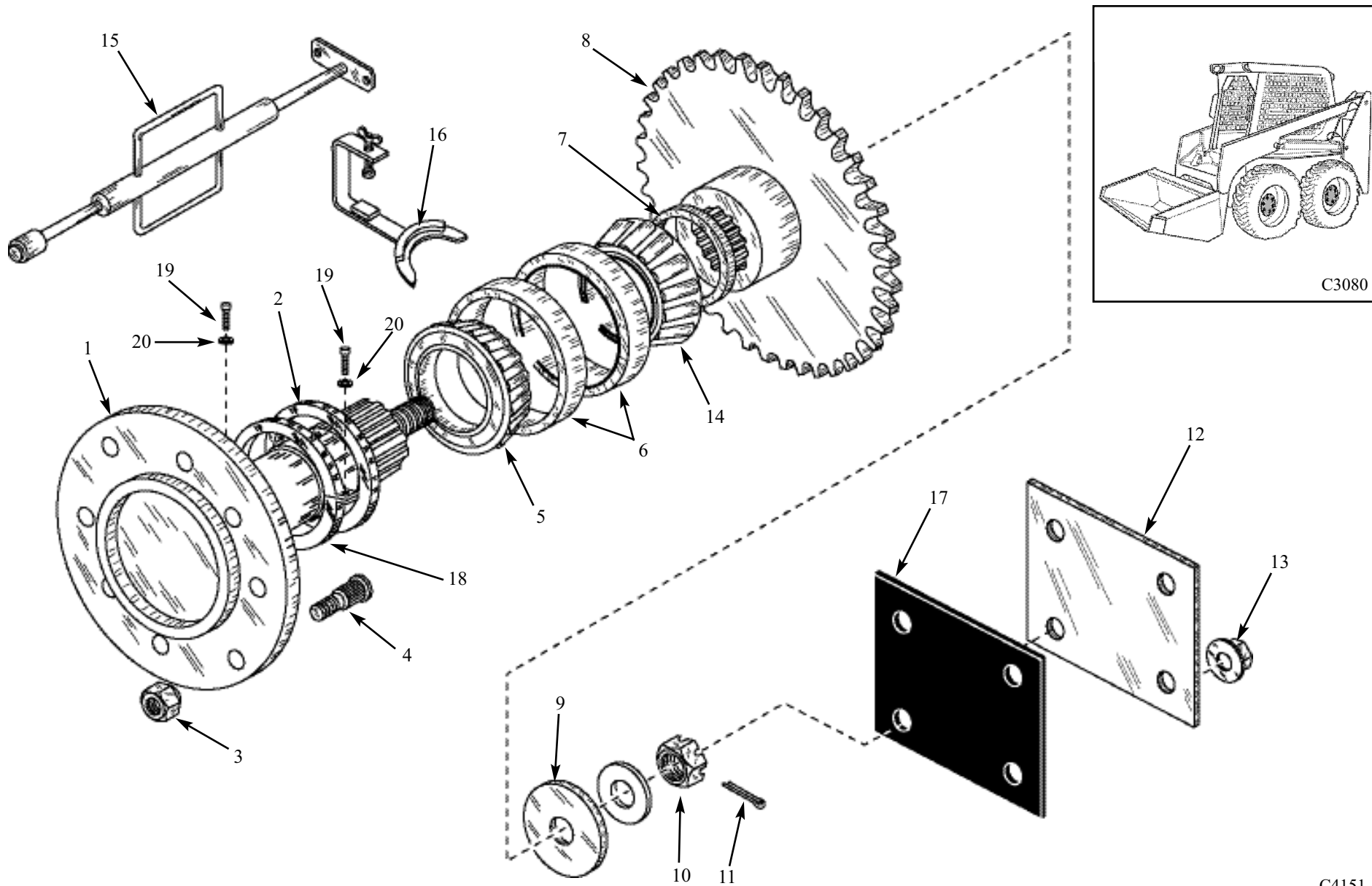
3.1



C4724

ITEM	PART	QTY	DESCRIPTION
1.	965079SP	1	Transmission Welded Assembly, RH
1.	965080SP	1	Transmission Welded Assembly, LH
2.	043558SP	10	Nut, Hex Flanged
3.	049590SP	1	Gasket, Transmission Inspection Cover
4.	051119SP	4	Sheet, Axle Cover
5.	006377SP	2	Plug, Vented
6.	952766SP	2	Bushing, Breather Reducing
7.	044357SP	4	Plug, Drain
8.	044358SP	4	Washer, Nylon
9.	051481SP	2	Sheet, Cover, Wheeled Version.
10.	049270SP	4	Gasket, Transmission Axle cover
11.	006465SP	40	Bolt, 5/8" x 1" UNC.
12.	001647SP	40	Washer, Lock, 5/8"

\* Diagram shows LH side of Transmission Housing only.



ITEM	PART	QTY	DESCRIPTION
1.	964349SP	1	Axle Assembly (4 required)
2.	029029SP	1	Seal
3.	005832SP	8	Nut, Wheel
4.	026188SP	8	Stud, Wheel
5.	026509SP	1	Bearing, Cone 2.625"
6.	026510SP	2	Bearing, Cup 4.4375"
7.	025618SP	1	Plate, Axle Spacer
8.	048346SP	1	Sprocket, 27T100 Axle, Front
	049592SP	1	Sprocket , 27T100 Double Rear Axle
9.	048355SP	1	Plate, Axle Washer
10.	014877SP	1	Nut, Castle
11.	001386SP	1	Pin, Cotter
12.	051119SP	1	Sheet, Axle Cover
13.	043558SP	4	Nut, Hex, Flange
14.	048917SP	1	Bearing, Cone 2.500"
15.	960475SP	1	Axle Puller
16.	964613SP	2	Seal Installation Tool, 2 Required
17.	049270SP	1	Gasket, Transmission Axle cover
18.	051496SP	1	Plate, Axle Seal Protector
19.	049612SP	2	Screw, Cap 1/4" UNC
20.	002279SP	2	Washer, Lock 1/4" PL

Chains and Connecting Links (per side)

*	048366SP	1	Chain, RS100H Solid Roller, 66 Pitches (Wheel Option)
*	048365SP	1	Chain, RS100H Solid Roller, 52 Pitches (Wheel Option)
*	044905SP	2	Connecting, Link, #100H (Wheel Option)
*	049594SP	1	Chain, RS100H Double Standard, SLD Roller (Track Loader)
*	049753SP	1	Conn. Link #100 Double Standard (Track Loader)

\*\* Quantities listed are per axle assembly.

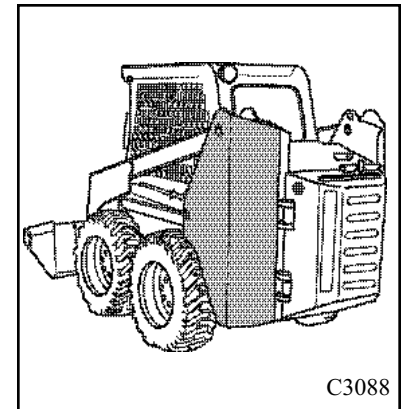
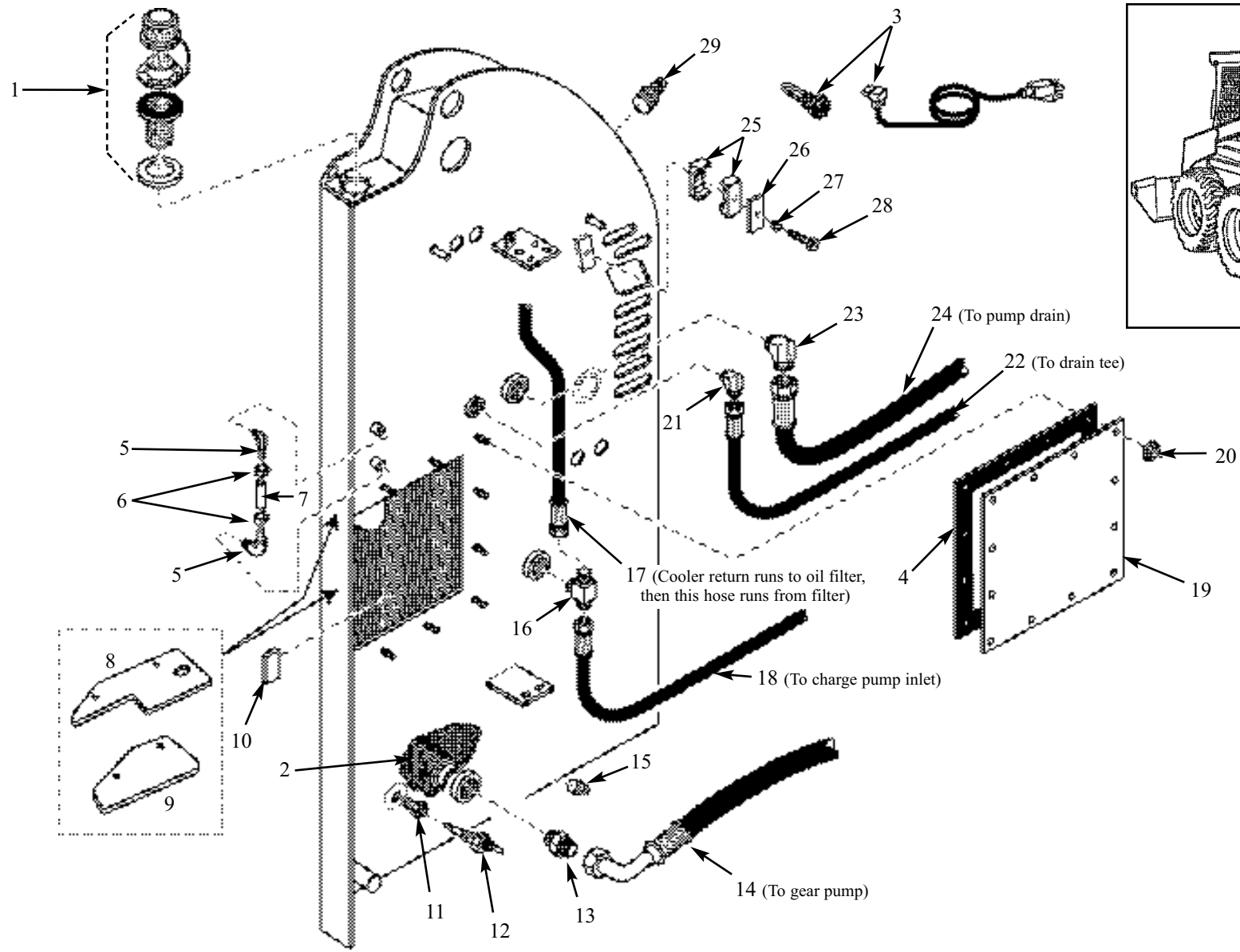
## 4. HYDRAULIC SYSTEM

Oil Reservoir .....	4.1
Hydraulic Oil Filter .....	4.2
Boom Lift Circuit (Standard) .....	4.3 (A)
Boom Lift Circuit (w/ Optional Self Level Valve).....	4.3 (B)
Fan / Radiator / Oil Cooler .....	4.4
Lift Cylinder .....	4.5
Bucket Tilt Circuit (Standard) .....	4.6 (A)
Bucket Tilt Circuit (w/ Optional Self Level Valve) .....	4.6 (B)
Tilt Cylinder .....	4.7
Auxiliary Circuit .....	4.8
Control Valve .....	4.9
Accumulator .....	4.10
Flat Face Coupling .....	4.11



# OIL RESERVOIR

4.1

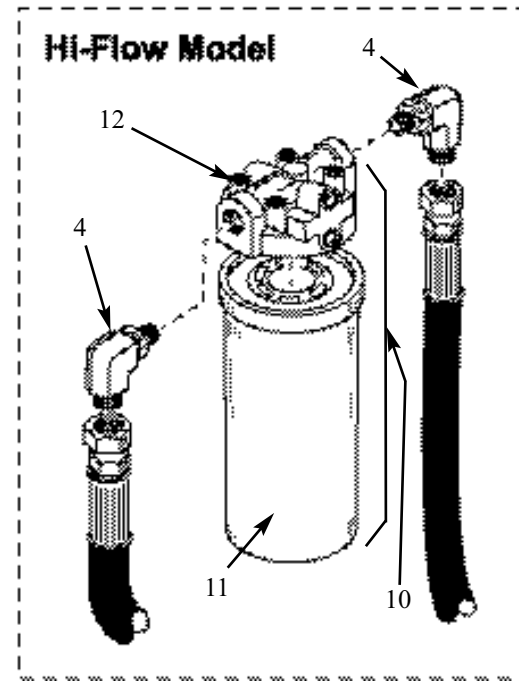
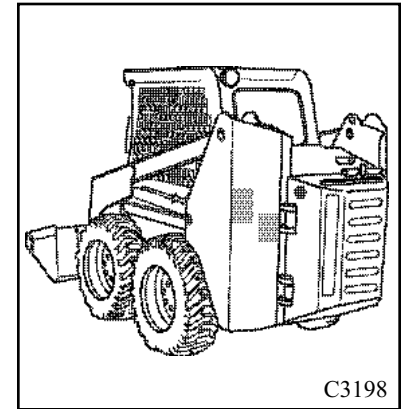
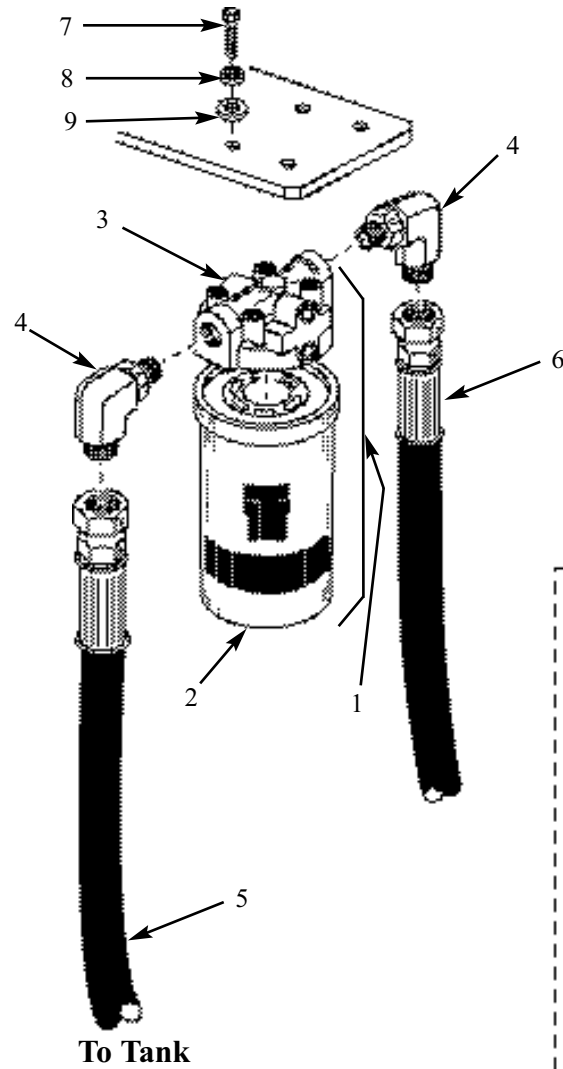


C3088

C3850

ITEM	PART	QTY	DESCRIPTION
1.	026202SP	1	Pressurized Filler Cap
2.	014898SP	1	Element, Hydraulic Oil Suction
3.	030549SP	1	Heater, Hydraulic Oil (Optional)
4.	046456SP	1	Gasket, Oil Tank Inspection Cover
5.	034903SP	2	Elbow, 90°
6.	034919SP	2	Clamp, Circle Two Ear
7.	000698SP	0.354 ft.	Tube, Clear Vinyl
8.	048447SP	1	Sheet, Baffle Top
9.	048448SP	1	Sheet, Baffle Bottom
10.	032478SP	1	Magnet, Hydraulic Oil Tank
11.	037208SP	1	Bushing, Reducing
12.	037206SP	1	Switch, Temperature Sender
13.	049065SP	1	Connector
14.	964568SP	1	Hose, Hydraulic 1" x 56" (Tank to gear pump)
15.	017144SP	1	Plug, Socket Head Magnetic Pipe
16.	049036SP	1	Tee, Branch
17.	964571SP	1	Hose, Hydraulic 3/4 x 22.5" (Filter outlet to tee in tank)
18.	964572SP	1	Hose, Hydraulic 1 x 52" (Tee in tank to charge inlet)
19.	020232SP	1	Cover, Inspection Hole
20.	043558SP	12	Nut, Hex Flange
21.	021701SP	1	Elbow, 90°
22.	964574SP	1	Hose, Hydraulic 1/2" x 73" (Drain tee to tank)
23.	019235SP	1	Elbow, 90°
24.	964573SP	1	Hose, Hydraulic 3/4" x 63" (Pump drain to tank)
25.	038303SP	4	Clamp
26.	038472SP	2	Clamp Plate
27.	001870SP	1	Washer, Lock
28.	015433SP	1	Bolt
29.	014223SP	1	Plug, Socket Head Magnetic

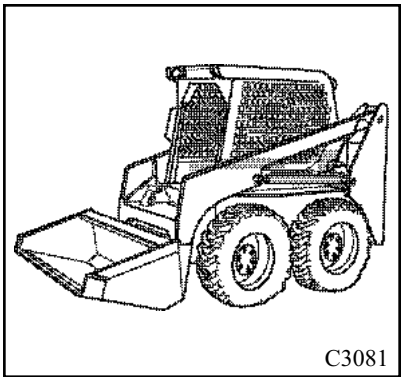
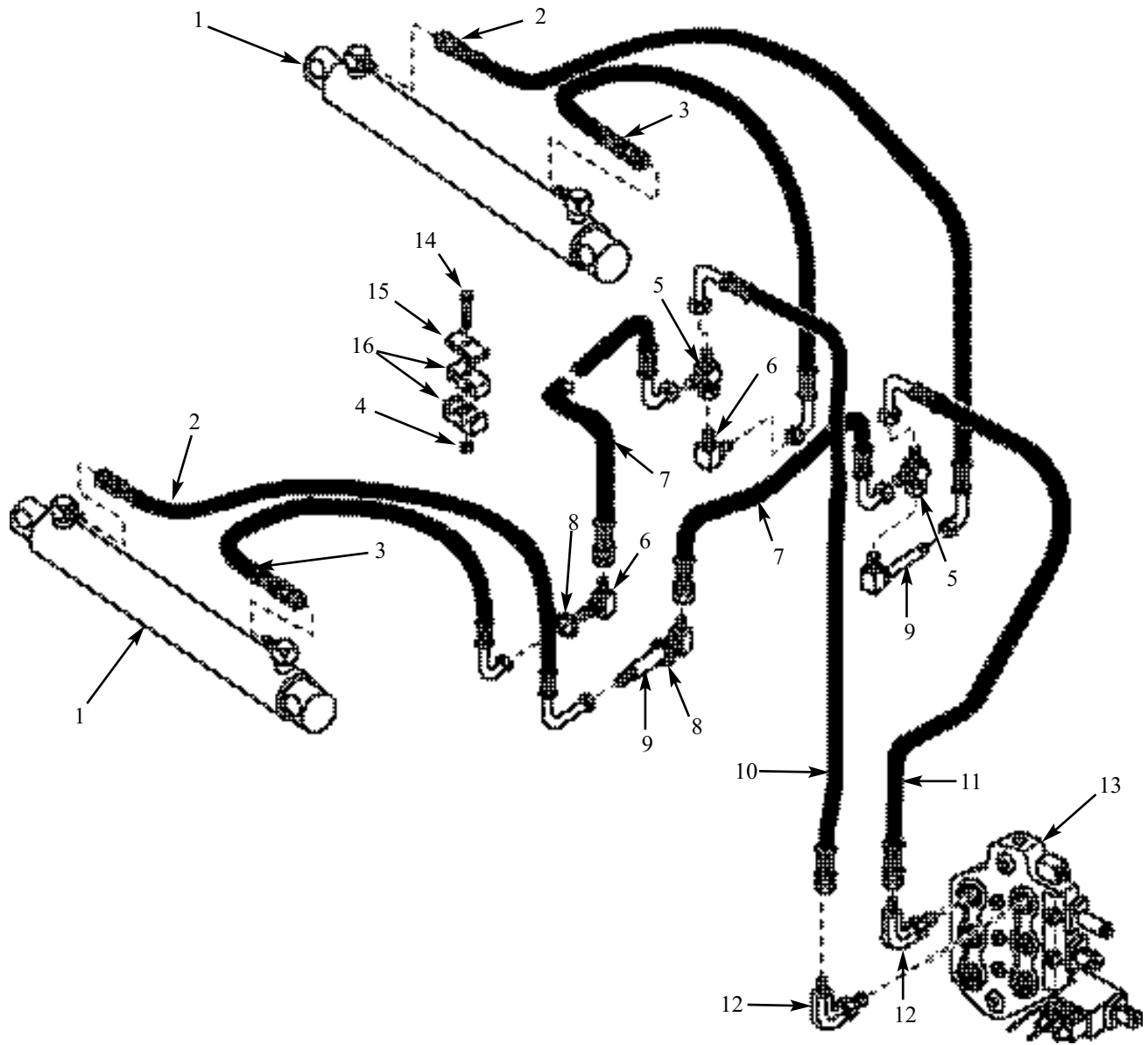
# HYDRAULIC OIL FILTER



ITEM	PART	QTY	DESCRIPTION
1.	038587SP	1	Filter, Hydraulic Assy.
2.	035243SP	2	Element, Hydraulic Oil Filter
3.	038588SP	1	Head, Filter Hydraulic Assy.
4.	038386SP	2	Elbow, 90°
5.	964571SP	1	Hose, Hydraulic (Filter outlet to tee in tank)
6.	964570SP	1	Hose, Hydraulic (Cooler top to filter inlet)
7.	001193SP	8	Bolt, Hex
8.	001642SP	8	Washer, Lock
9.	001643SP	8	Washer, Flat
10.	043539SP	1	Filter, Hydraulic Assy.
11.	043541SP	1	Element, Hydraulic Oil Filter
12.	043540SP	1	Head, Filter Assy.

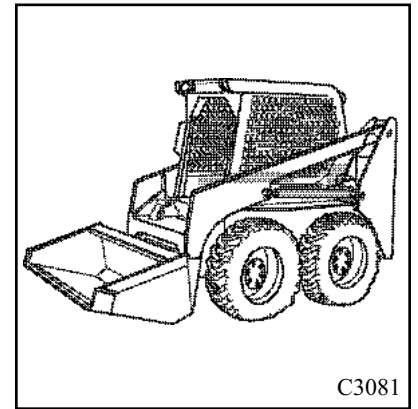
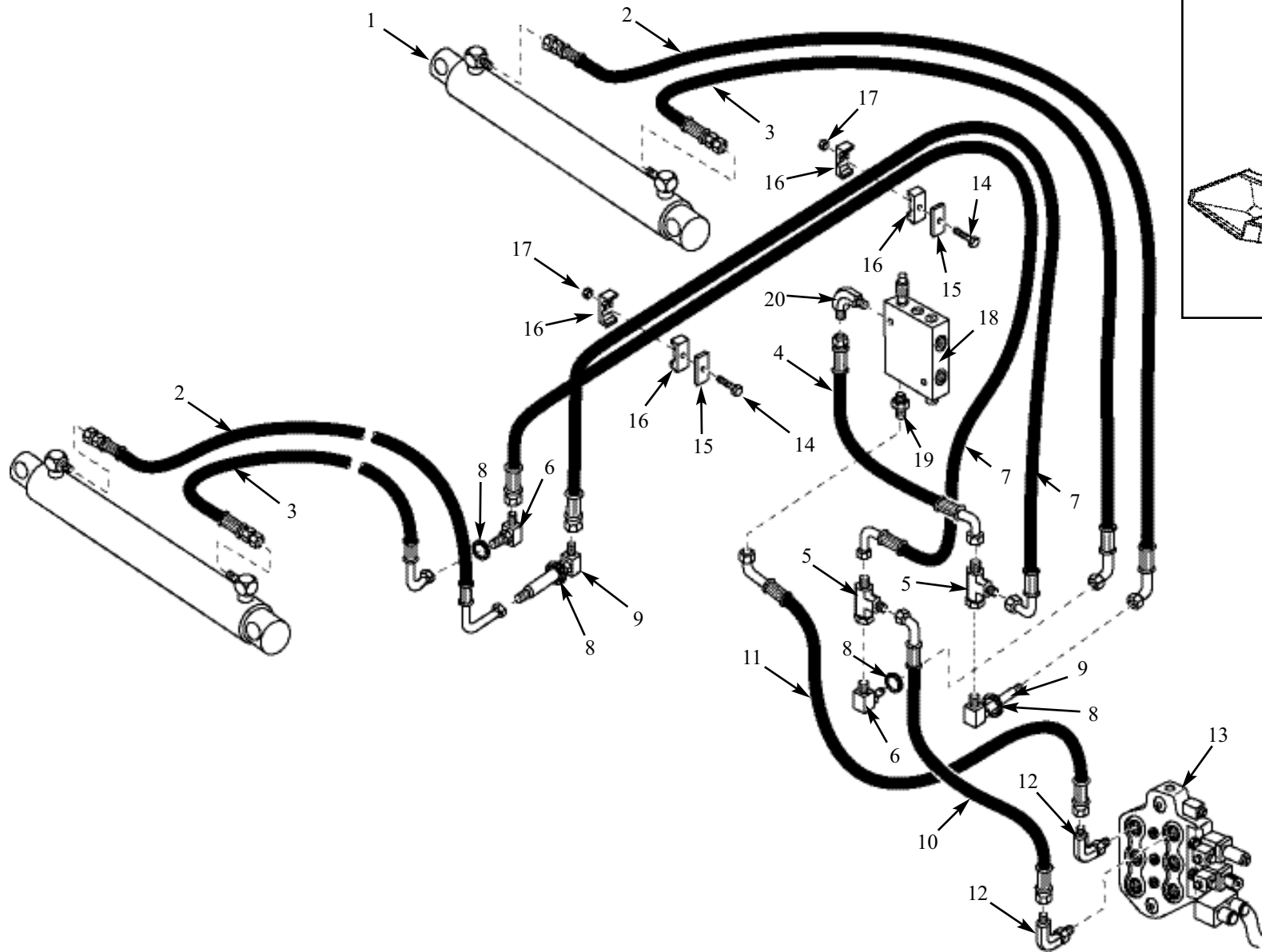
# BOOM LIFT CIRCUIT (Standard)

4.3 (A)



ITEM	PART	QTY	DESCRIPTION
1.	***	2	Lift cylinder, see section 4.5
2.	962903SP	2	Hose, Hydraulic (Lift cylinder front port to rear bulkhead)
3.	962904SP	2	Hose, Hydraulic (Lift cylinder rear port to front bulkhead)
4.	016771SP	2	Lock nut
5.	042322SP	2	Tee
6.	033831SP	2	Connector, Bulkhead 90°
7.	961774SP	2	Hose, Hydraulic (Lift hoses from bulkheads to bulkheads)
8.	043903SP	4	Washer, Lock Internal Tooth
9.	036336SP	2	Connector, Bulkhead 90°
10.	963230SP	1	Hose, Hydraulic (Lift rear port to front bulkhead)
11.	963231SP	1	Hose, Hydraulic (Lift front port to rear bulkhead)
12.	019232SP	2	Elbow, 90°
13.	***	1	Control valve, see section 4.9
14.	042625SP	2	Bolt
15.	042076SP	2	Plate, Cover Twin
16.	043033SP	4	Clamp
•	000415SP	1	19.5' of Tube, Heli 3/4"x3/4" (Used to wrap hoses on the liftarms)

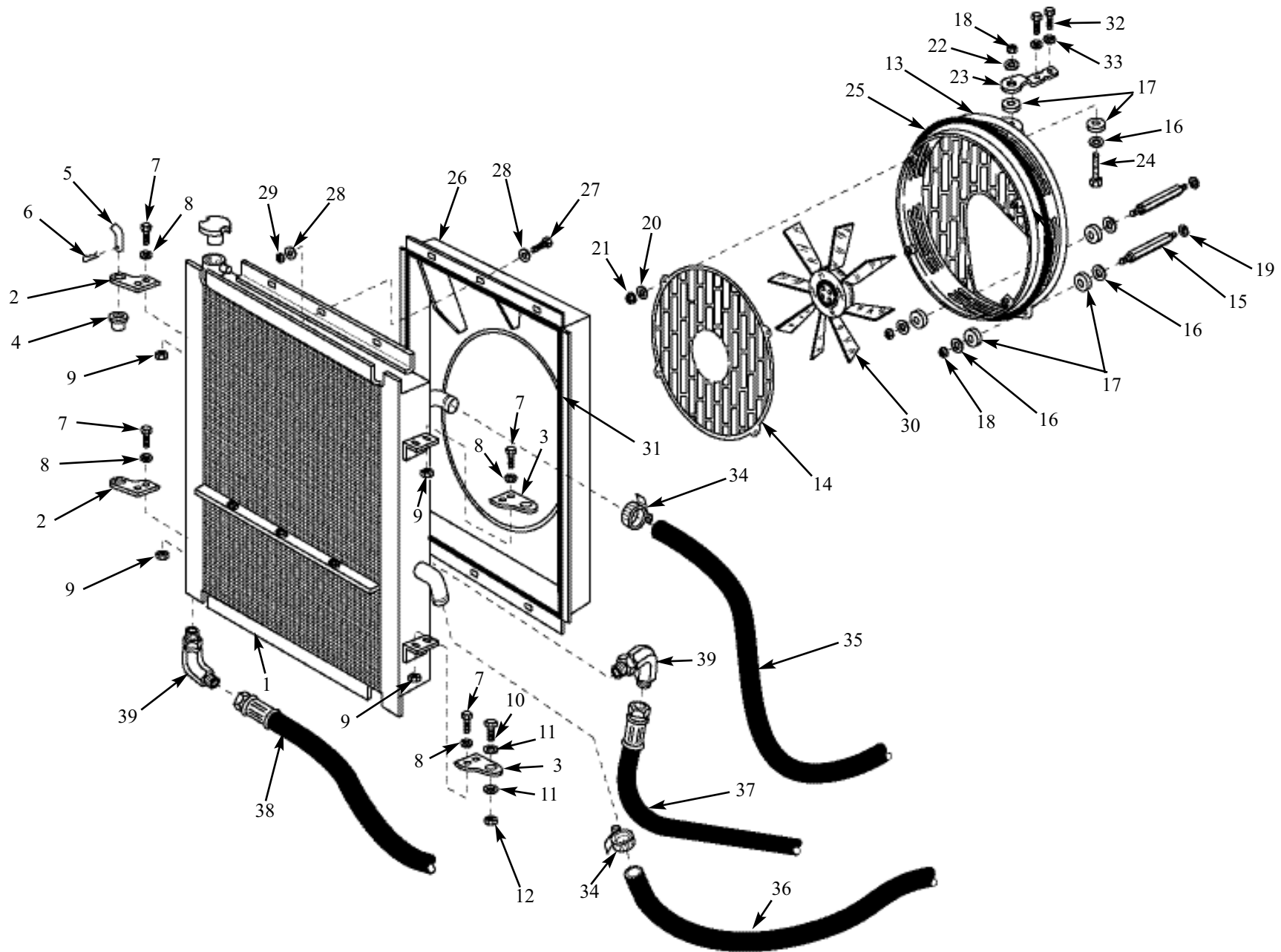
**BOOM LIFT CIRCUIT (w/ Optional Self Level Valve) (Standard on CE Models) 4.3 (B)**



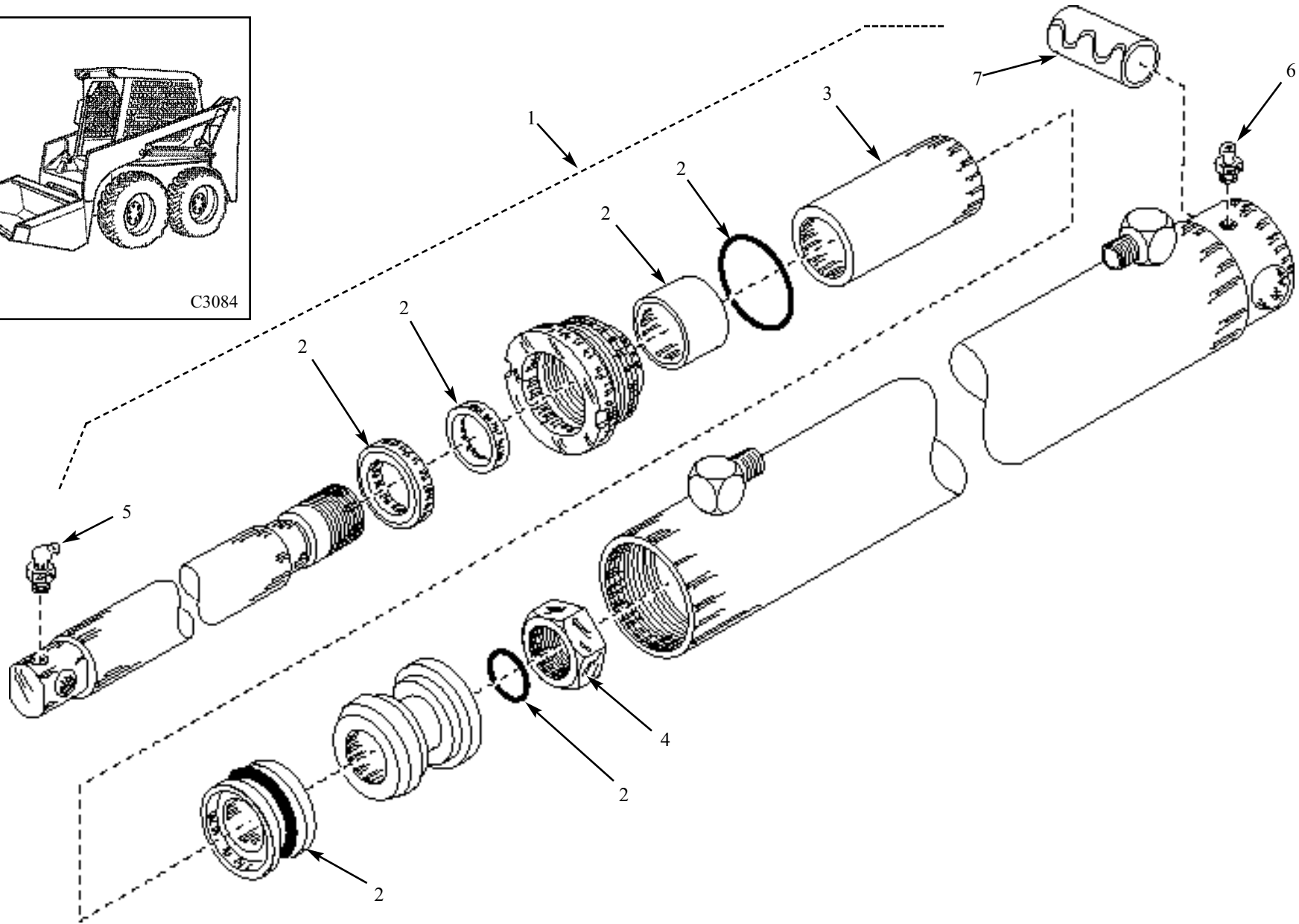
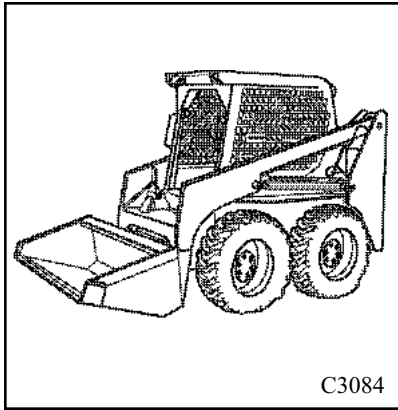
ITEM	PART	QTY	DESCRIPTION
1.	***	2	Lift cylinder, see section 4.5
2.	962903SP	2	Hose, Hydraulic (Lift cylinder front port to rear bulkhead)
3.	962904SP	2	Hose, Hydraulic (Lift cylinder rear port to front bulkhead)
4.	961776SP	1	Hose, Hydraulic (SLV port "A" to rear bulkhead)
5.	042322SP	2	Tee
6.	033831SP	2	Connector, Bulkhead 90°
7.	961774SP	2	Hose, Hydraulic (Lift hoses from bulkheads to bulkheads)
8.	043903SP	4	Washer, Lock Internal Tooth
9.	036336SP	2	Connector, Bulkhead 90°
10.	963230SP	1	Hose, Hydraulic (Lift rear port to front bulkhead)
11.	961937SP	1	Hose, Hydraulic (Valve front port to SLV port "B")
12.	019232SP	2	Elbow, 90°
13.	***	1	Control valve, see section 4.9
14.	042625SP	2	Bolt
15.	042076SP	2	Plate, Cover Twin
16.	043033SP	4	Clamp
17.	016771SP	2	Lock nut
18.	043487SP	1	Valve, Self Level Assy.
19.	019226SP	1	Connector
20.	019232SP	1	Elbow, 90°

\* The Self Level Valve is standard on CE loaders.





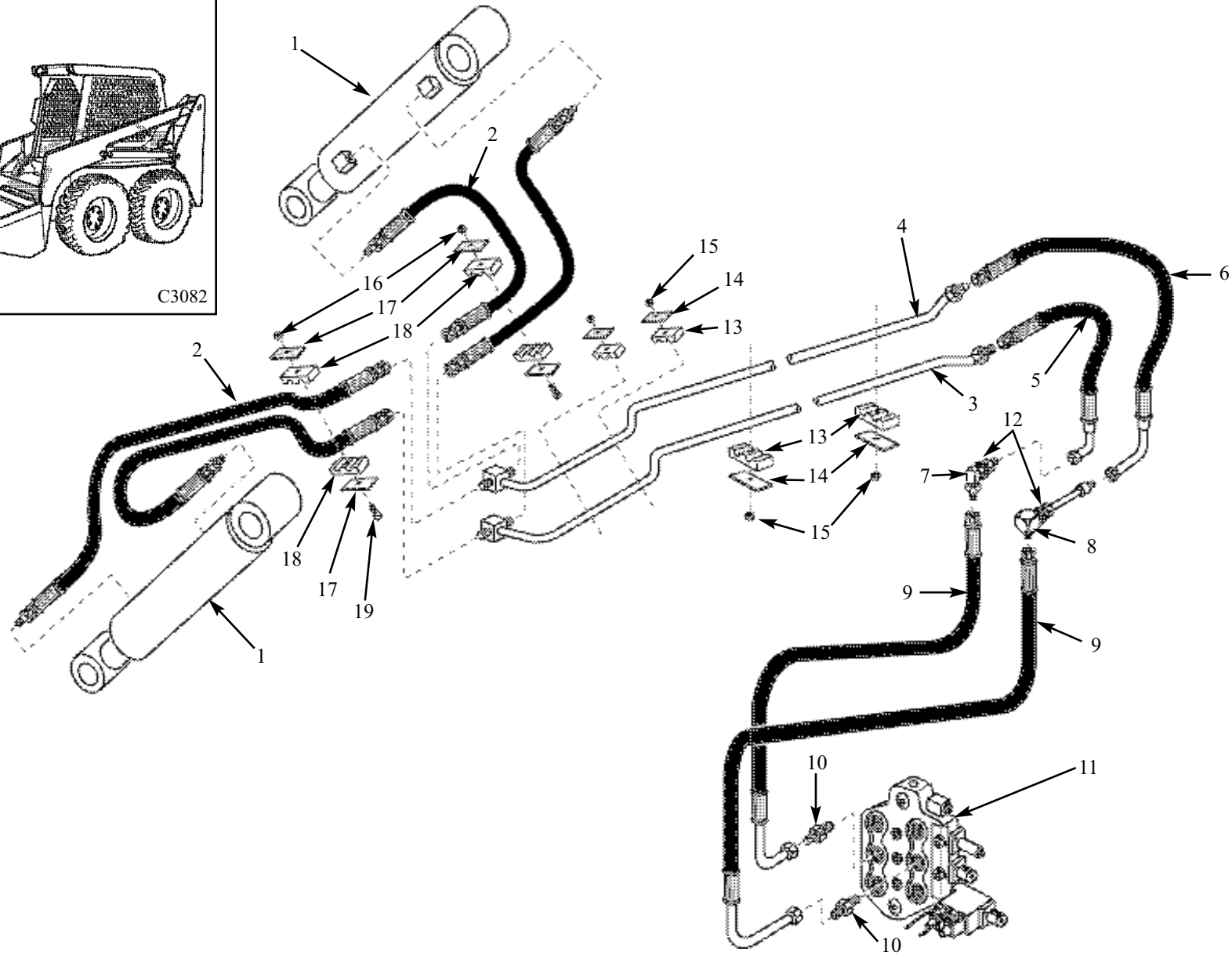
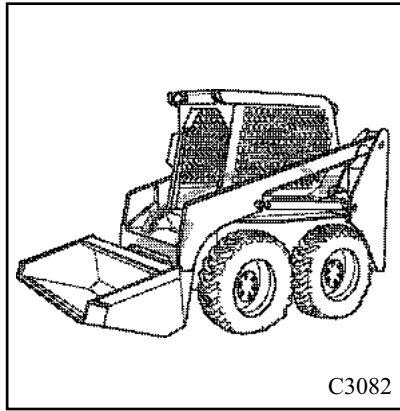
ITEM	PART	QTY	DESCRIPTION	ITEM	PART	QTY	DESCRIPTION
1.	048919SP	1	Rad / Cooler Assembly	38.	964569SP	1	Hose, Hydraulic (Cooler bottom to Control Valve)
2.	048612SP	2	Plate, Rad Mount Left	39.	038386SP	2	Elbow, 90°
3.	048516SP	2	Plate, Rad Mount Right				
4.	048925SP	4	Bearing				
5.	051021SP	2	Bar, Rad Pin				
6.	024296SP	2	Clip, Hairpin-Plated				
7.	001387SP	8	Bolt, Hex 3/8 x 1 1/4				
8.	001643SP	8	Washer, Flat 3/8				
9.	007465SP	8	Nut, Nylok 3/8				
10.	001240SP	2	Bolt, Hex 1/2 x 2				
11.	023385SP	4	Washer, Flat 1/2				
12.	008613SP	2	Nut, Nylok 1/2				
13.	964719SP	1	Fan Guard Welded Assembly				
14.	051192SP	1	Sheet, Bolt On Shield				
15.	051195SP	2	Bar, Standoff Bottom				
16.	051190SP	5	Washer				
17.	049260SP	3	Isolator, Neoprene				
18.	007465SP	3	Nut, Nylok 3/8				
19.	001642SP	2	Washer, Lock 3/8				
20.	001650SP	4	Washer, Flat 1/4				
21.	044237SP	4	Nut, 1/4 Flange				
22.	001643SP	1	Washer, Flat 3/8				
23.	051184SP	1	Plate, Fan Guard Brace				
24.	023901SP	1	Bolt, Hex 3/8 x 2 1/4				
25.	048601SP	6.5 ft.	Molding, Trim Seal 3/4" x 1/8"				
26.	964546SP	1	Shroud, Welded Assembly				
27.	001190SP	5	Bolt, Hex 5/16 x 1				
28.	001651SP	10	Washer, Flat 5/16				
29.	016771SP	5	Nut, Nylok, Hex 5/16				
30.	048923SP	1	Fan, Multiwing				
31.	015931SP	96"	Weatherstrip, 5/16 x 3/4				
32.	021554SP	2	Bolt, Hex				
33.	021029SP	2	Washer, Lock				
34.	006268SP	2	Clamp, Hose #32				
35.	051160SP	1	Hose, Top Radiator				
36.	051120SP	1	Hose, Coolant Bottom				
37.	964570SP	1	Hose, Hydraulic (Cooler top to filter inlet)				



<b>ITEM</b>	<b>PART</b>	<b>QTY</b>	<b>DESCRIPTION</b>
1.	043771SP	1	Cylinder Assembly (pair required)
2.	044570SP	1	Kit, Seal Hydraulic Cylinder
3.	030236SP	1	Spacer
4.	029896SP	1	Nut, Lock
5.	035451SP	1	Grease Fitting, 90°
6.	002010SP	1	Grease Fitting Straight
7.	043632SP	1	Bushing, Hardened

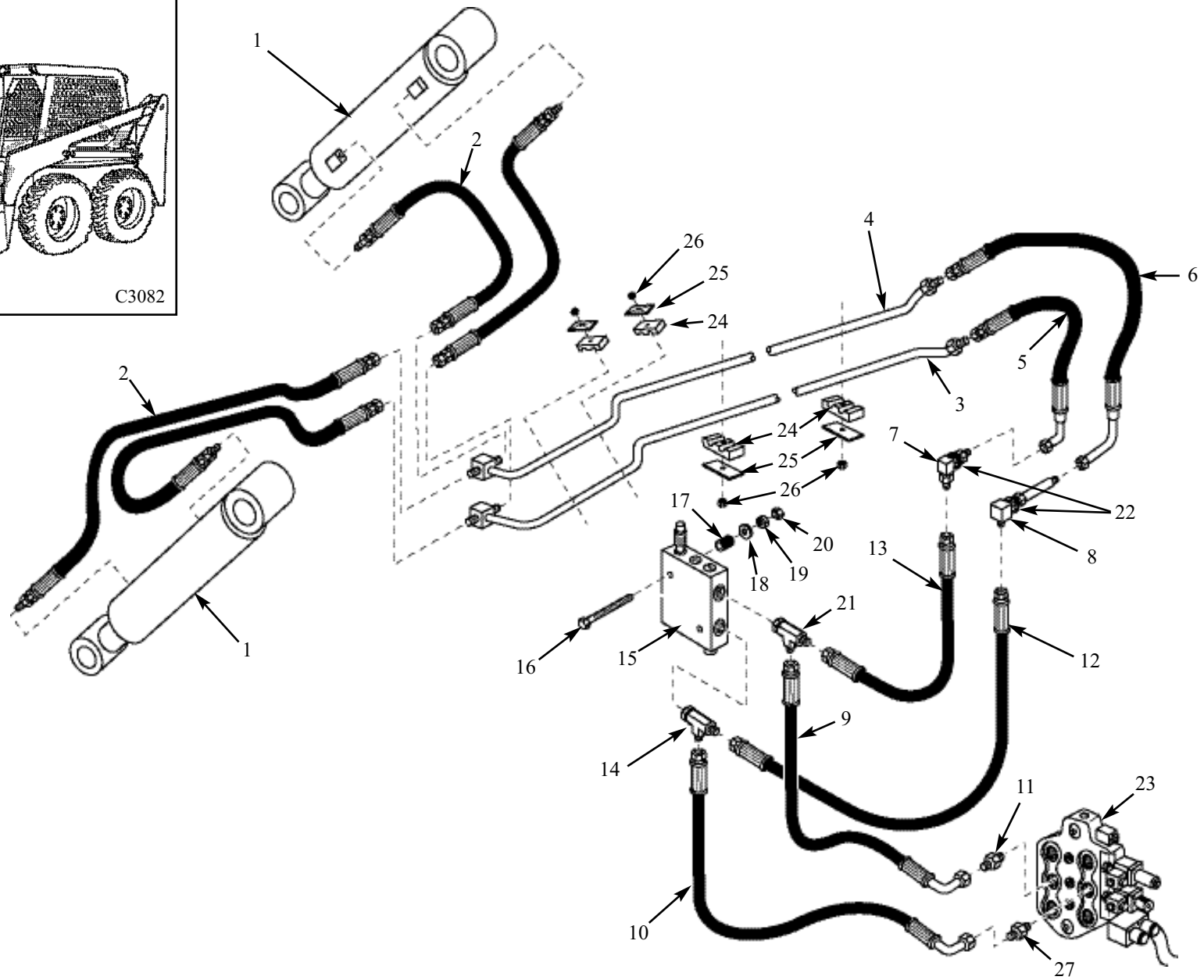
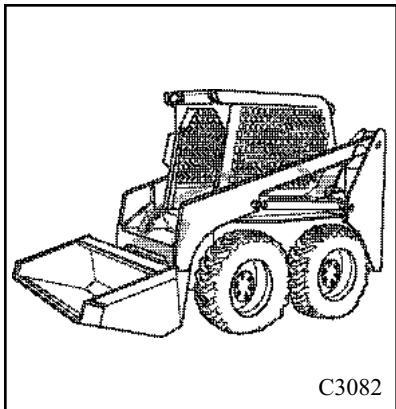
# BUCKET TILT CIRCUIT (Standard)

4.6 (A)



ITEM	PART	QTY	DESCRIPTION
1.	***	2	Tilt Cylinder, See Section 4.7
2.	961499SP	4	Hose, Hydraulic (Tilt cylinder to tube)
3.	042091SP	1	Tube, Hydraulic (Inside tilt tube)
4.	043570SP	1	Tube, Hydraulic (Outside tilt tube)
5.	961761SP	1	Hose, Hydraulic (Front bulkhead to inside hydraulic line)
6.	964595SP	1	Hose, Hydraulic (Rear bulkhead to outside hydraulic line)
7.	033831SP	1	Connector, Bulkhead 90°
8.	036336SP	1	Connector, Bulkhead 90° (Long)
9.	963232SP	2	Hose, Control Valve to Bulkhead
10.	019226SP	2	Connector
11.	***	1	Control Valve, See Section 4.9
12.	043903SP	2	Star washer
13.	038303SP	4	Clamp, Tube Twin 5/8"
14.	038472SP	4	Plate, Cover Twin
15.	007465SP	4	Nut, Nylok
16.	016771SP	2	Nut, Nylok
17.	042076SP	4	Plate, Cover Twin
18.	042061SP	4	Clamp, Twin 3/4" Tube
19.	001675SP	2	Bolt, Hex

# BUCKET TILT CIRCUIT (w/ Optional Self Level Valve) (Standard on CE Models) 4.6 (B)



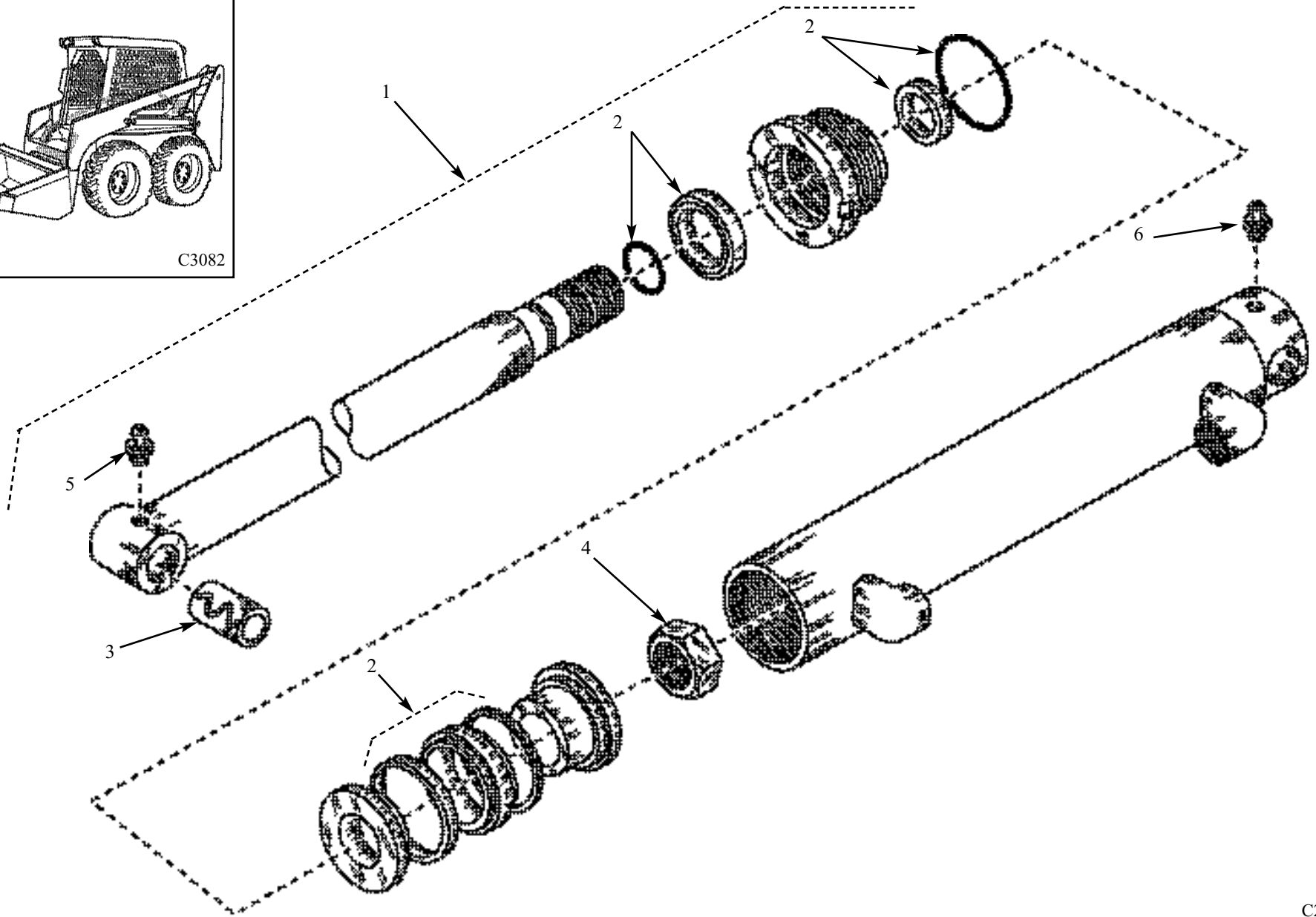
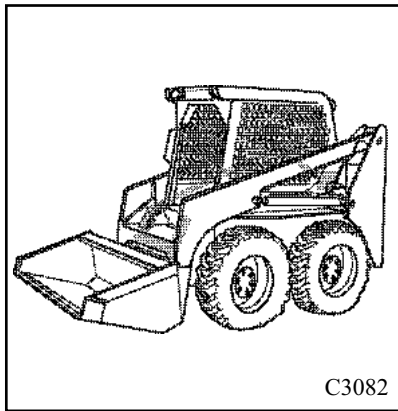
ITEM	PART	QTY	DESCRIPTION
1.	***	2	Tilt Cylinder, See Section 4.7
2.	961499SP	4	Hose, Hydraulic (Tilt cylinder to tube)
3.	042091SP	1	Tube, Hydraulic (Inside tilt tube)
4.	043570SP	1	Tube, Hydraulic (Outside tilt tube)
5.	961761SP	1	Hose, Hydraulic (Front bulkhead to inside hydraulic line)
6.	964595SP	1	Hose, Hydraulic (Rear bulkhead to outside hydraulic line)
7.	033831SP	1	Connector, Bulkhead 90°
8.	036336SP	1	Connector, Bulkhead 90° (Long)
9.	963232SP	1	Hose, Hydraulic (Front valve port to SLV Port "D")
10.	963232SP	1	Hose, Hydraulic (Rear valve port to SLV Port "C")
11.	019226SP	1	Connector, Straight
12.	961778SP	1	Hose, Hydraulic (SLV Port "C", tee to rear bulkhead)
13.	961767SP	1	Hose, Hydraulic (SLV Port "D", tee to front bulkhead)
14.	036626SP	1	Tee
15.	043487SP	1	Valve, Self Level Assembly (SLV)
16.	042907SP	2	Bolt, Hex
17.	036273SP	2	Bar
18.	017438SP	2	Washer, Flat
19.	017441SP	2	Washer, Lock
20.	024615SP	2	Nut, Hex
21.	036626SP	1	Tee
22.	043903SP	2	Star Washer
23.	***	1	Control Valve, See Section 4.9
24.	038303SP	4	Clamp, Tube Twin 5/8"
25.	038472SP	4	Plate, Cover Twin
26.	007465SP	4	Nut, Nylok
27.	019232SP	1	Elbow

\* The Self Level Valve is standard on CE loaders.

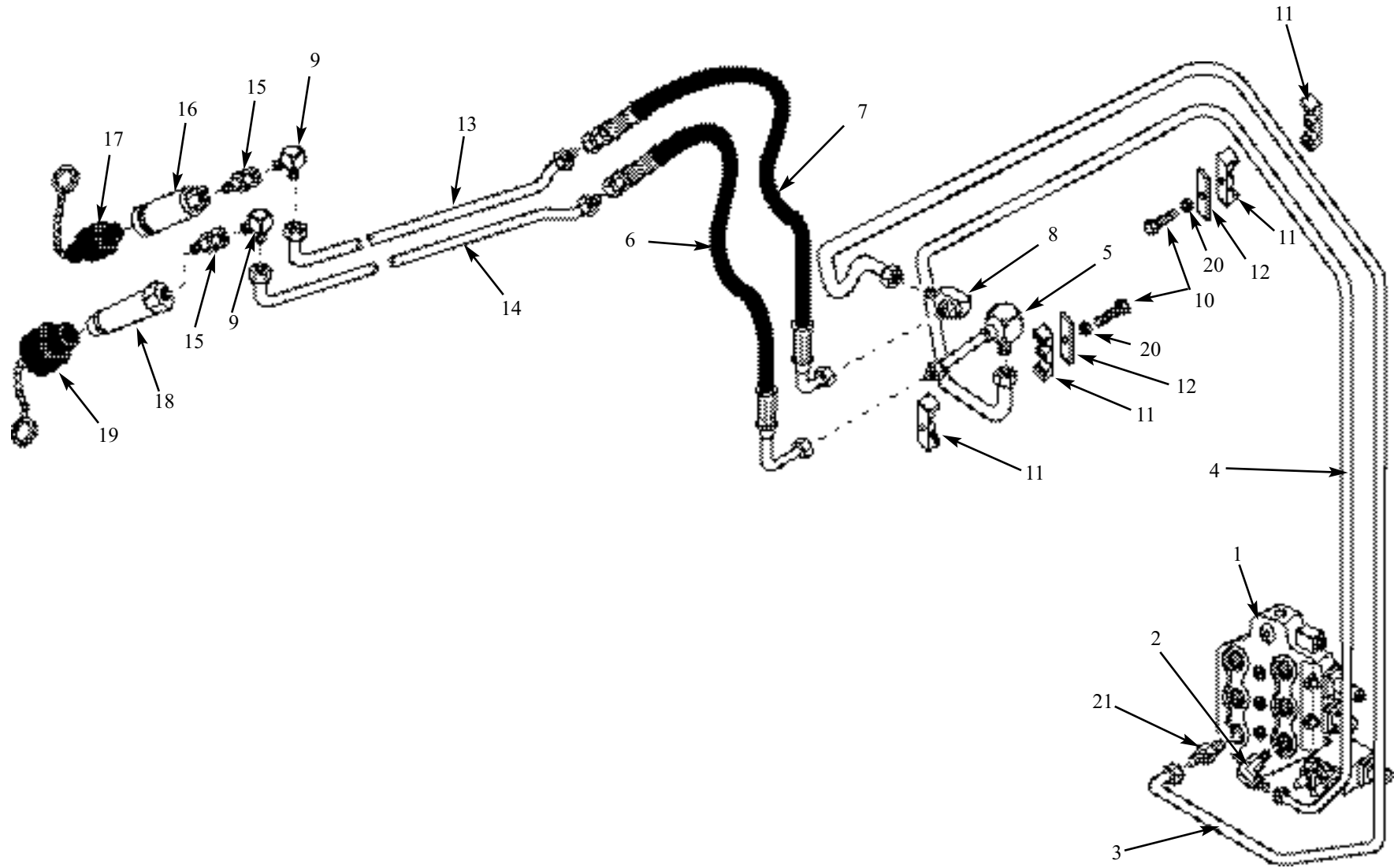
**BUCKET TILT CIRCUIT (w/ Optional Self Level Valve) (Standard on CE Models) 4.6 (B)**



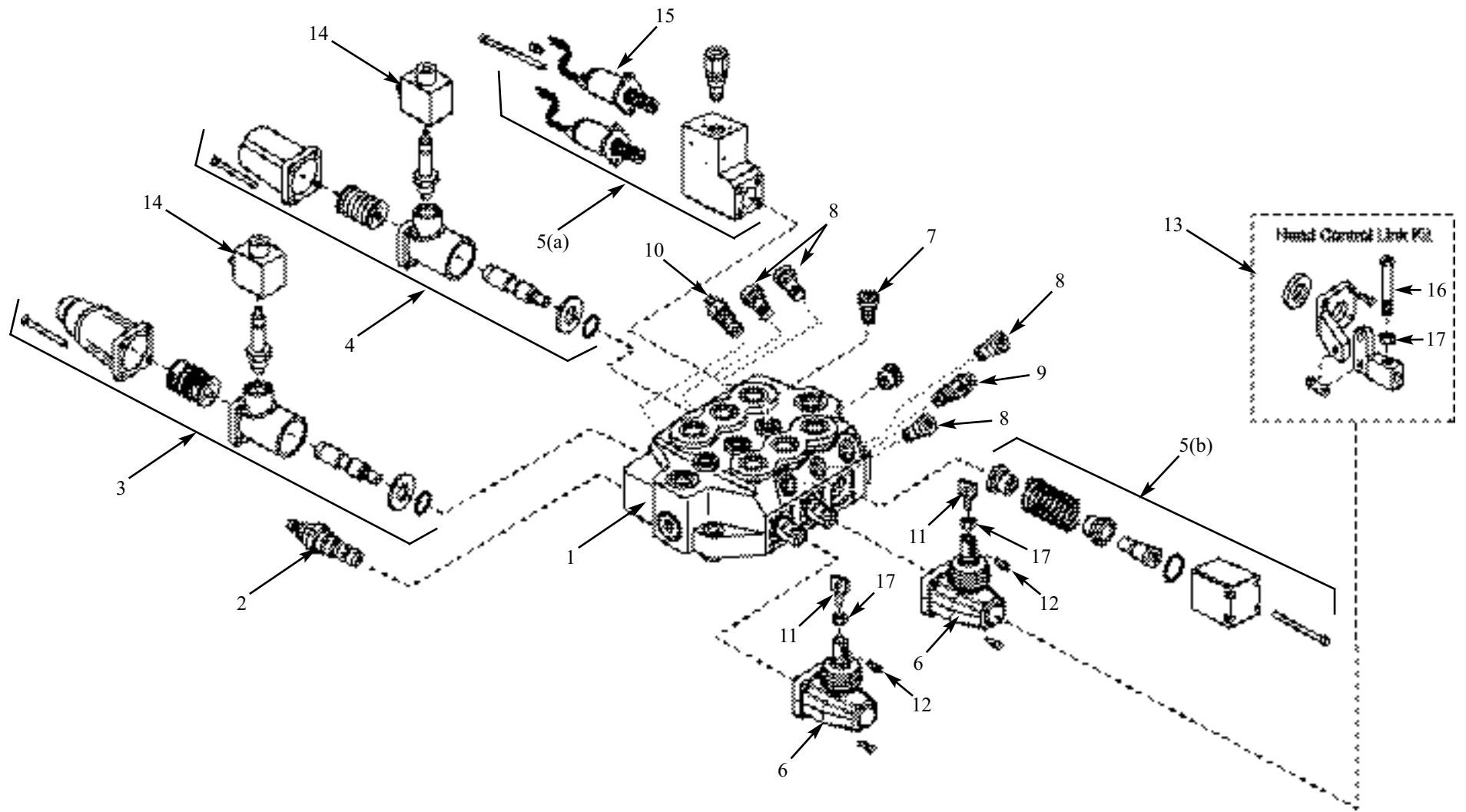
# TILT CYLINDER



<b>ITEM</b>	<b>PART</b>	<b>QTY</b>	<b>DESCRIPTION</b>
1.	033153SP	1	Tilt Cylinder (pair required)
2.	032511SP	1	Kit, Seal, Hydraulic Cylinder
3.	030641SP	1	Bushing, Hardened
4.	006297SP	1	Nut, Cylinder, Hex
5.	002010SP	1	Fitting, Grease (Straight)
6.	035451SP	1	Fitting, Grease (90°)



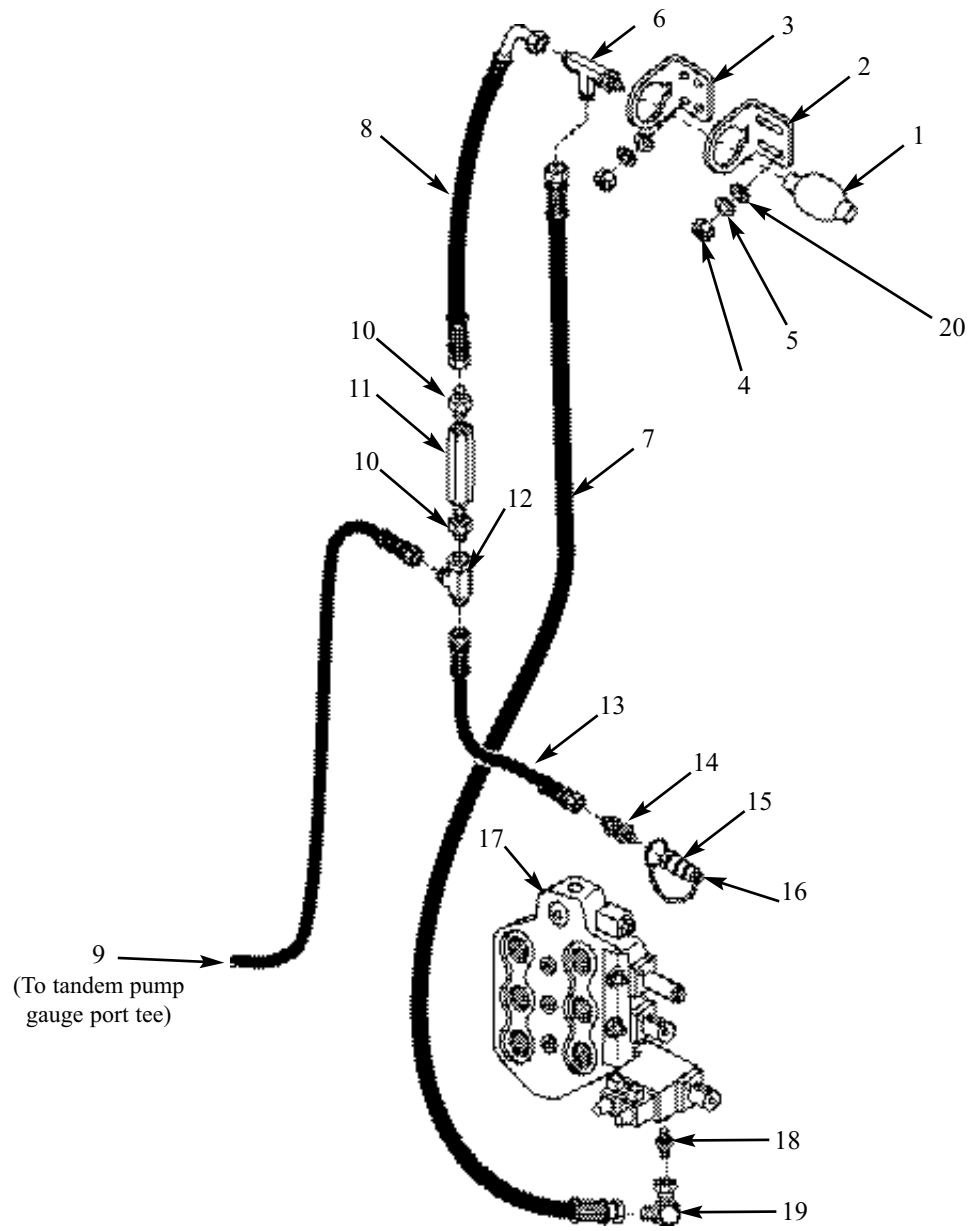
ITEM	PART	QTY	DESCRIPTION
1.	***	1	Control Valve, see Section 4.9
2.	019232SP	1	Elbow, 90°
3.	044674SP	1	Tube, Hydraulic (Bulkhead to valve)
4.	044675SP	1	Tube, Hydraulic (Bulkhead to valve)
5.	036336SP	1	Connector, Bulkhead 90° (Long)
*	043903SP	2	Internal Star Washer (used on bulkheads)
6.	964595SP	1	Hose, Hydraulic (Rear bulkhead to outside hydraulic lines)
7.	961761SP	1	Hose, Hydraulic (Front bulkhead to inside hydraulic lines)
8.	033831SP	1	Connector, Bulkhead 90°
9.	022280SP	2	Elbow, 90°
10.	015433SP	2	Bolt
11.	038303SP	4	Clamp, Tube Twin
12.	038472SP	2	Plate, Cover Twin
13.	042089SP	1	Tube, Hydraulic (Inside auxiliary tube)
14.	043571SP	1	Tube, Hydraulic (Outside auxiliary tube)
15.	029437SP	2	Connector, Bulkhead
16.	048592SP	1	Coupling, Quick Disconnect, Female
17.	048594SP	1	Dust Cap for Female Quick Coupler
18.	048593SP	1	Coupling, Quick Disconnect, Male
19.	048595SP	1	Dust Cap for Male Quick Coupler
20.	001870SP	2	Lock Washer
21.	019226SP	1	Connector



ITEM	PART	QTY	DESCRIPTION
1.	047804SP	1	Valve, Hyd Assy Sol Aux w/Control Boxes
2.	049078SP	1	Valve, Main Relief
3.	049081SP	1	Kit, Lift Circuit w/o Spool
4.	049080SP	1	Kit, Tilt Circuit w/o Spool
5.	049079SP	1	Kit, Aux Circuit w/o Spool
6.	044935SP	2	Kit, Control Lever Box
7.	043722SP	3	Valve, Check
8.	044190SP	4	Plug, Anti-Cav. Replacement
9.	049076SP	1	Valve, Anti-Cavitation
10.	049077SP	1	Valve, Port Relief
11.	044299SP	2	Bar, Control Lever Linkage
12.	044473SP	2	Screw, Set
13.	044937SP	1	Kit, Dust Cap w/Connector for Hand Control (Optional)
14.	049083SP	1	Coil, Solenoid Lock Assy.
15.	049082SP	1	Coil, Auxiliary Solenoid
16.	046006SP	1	Bar, Control Lever Linkage (Hand Control Option)
17.	046005SP	2	Nut, Jam
•	043812SP	1	Seal Kit

\* On hand control units, the quantity of control lever linkage bars (#11) will change from 2 to 1.

\*\* Hand Controls are standard on CE models.



ITEM	PART	QTY	DESCRIPTION
1.	046118SP	1	Accumulator, Diaphragm
2.	046165SP	1	Sheet, Accumulator Mount Top
3.	046166SP	1	Sheet, Accumulator Mount Bottom
4.	023250SP	4	Nut, Nylok, Hex 5/16
5.	017438SP	4	Washer, Flat 5/16
6.	026833SP	1	Tee, Run
7.	964622SP	1	Hose, Hydraulic 3/8 x 31" (Control valve to accumulator tee)
8.	964581SP	1	Hose, Hydraulic 3/8 x 7" (Accumulator tee to check valve)
9.	964582SP	1	Hose, Hydraulic 3/8 x 57" (Check valve tee to charge pump gauge port tee)
10.	021121SP	1	Connector, Male
11.	026829SP	1	Valve, Check
12.	038389SP	1	Tee, Run
13.	964583SP	1	Hose, Hydraulic 1/4 x 15" (Check valve tee to quick disconnect bulkhead)
14.	043127SP	1	Connector, Bulkhead
15.	043128SP	1	Coupling, Quick Disconnect Male
16.	043130SP	1	Dust Plug, Quick Disconnect Male
17.	***	1	Control Valve, See Section 4.9
18.	036853SP	1	Connector, Male
19.	015103SP	1	Elbow, 90°
20.	017441SP	4	Washer, Lock



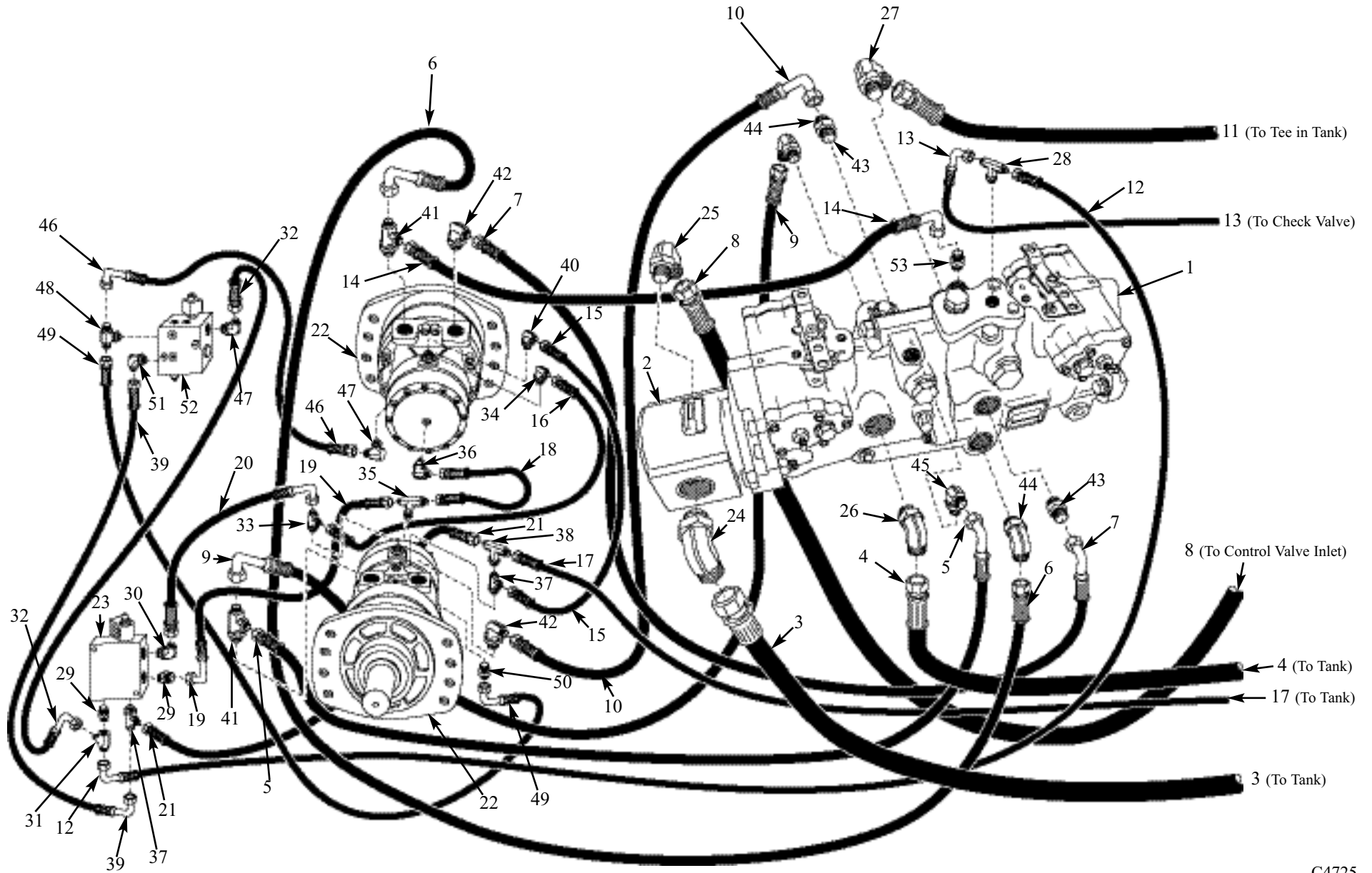
## FLAT FACED COUPLING

4.11

PART	QTY	DESCRIPTION
<b>U-2873</b>	<b>1</b>	<b>Kit, Coupling Flat Face:</b>
043800SP	1	Coupling, Quick Disconnect Female, 8 1/2 NPTF Flush Face Type 3/4
043801SP	1	Coupling, Quick Disconnect Male, 8 1/2 NPTF Flush Face Type 3/4
043917SP	1	Cap, Dust for Female Flush Face Coupling
043918SP	1	Cap, Dust for Male Flush Face Coupling

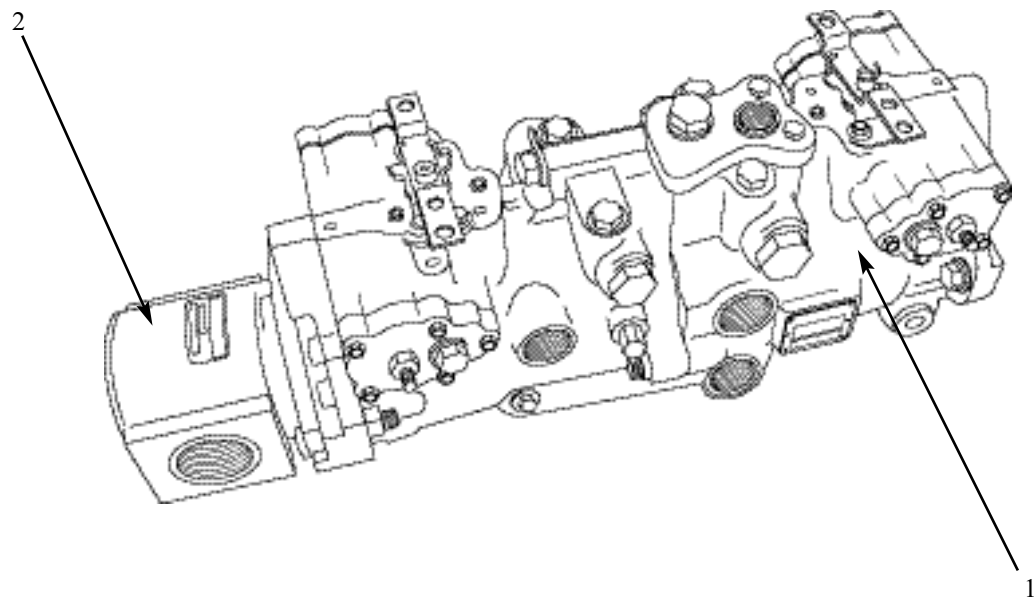
## 5. HYDROSTATIC DRIVE SYSTEM

Hydrostatic Drive Circuit.....	5.1
Hydrostatic Tandem Pump .....	5.2
Hi-Flow Circuit .....	5.3
Torque Motor .....	5.4

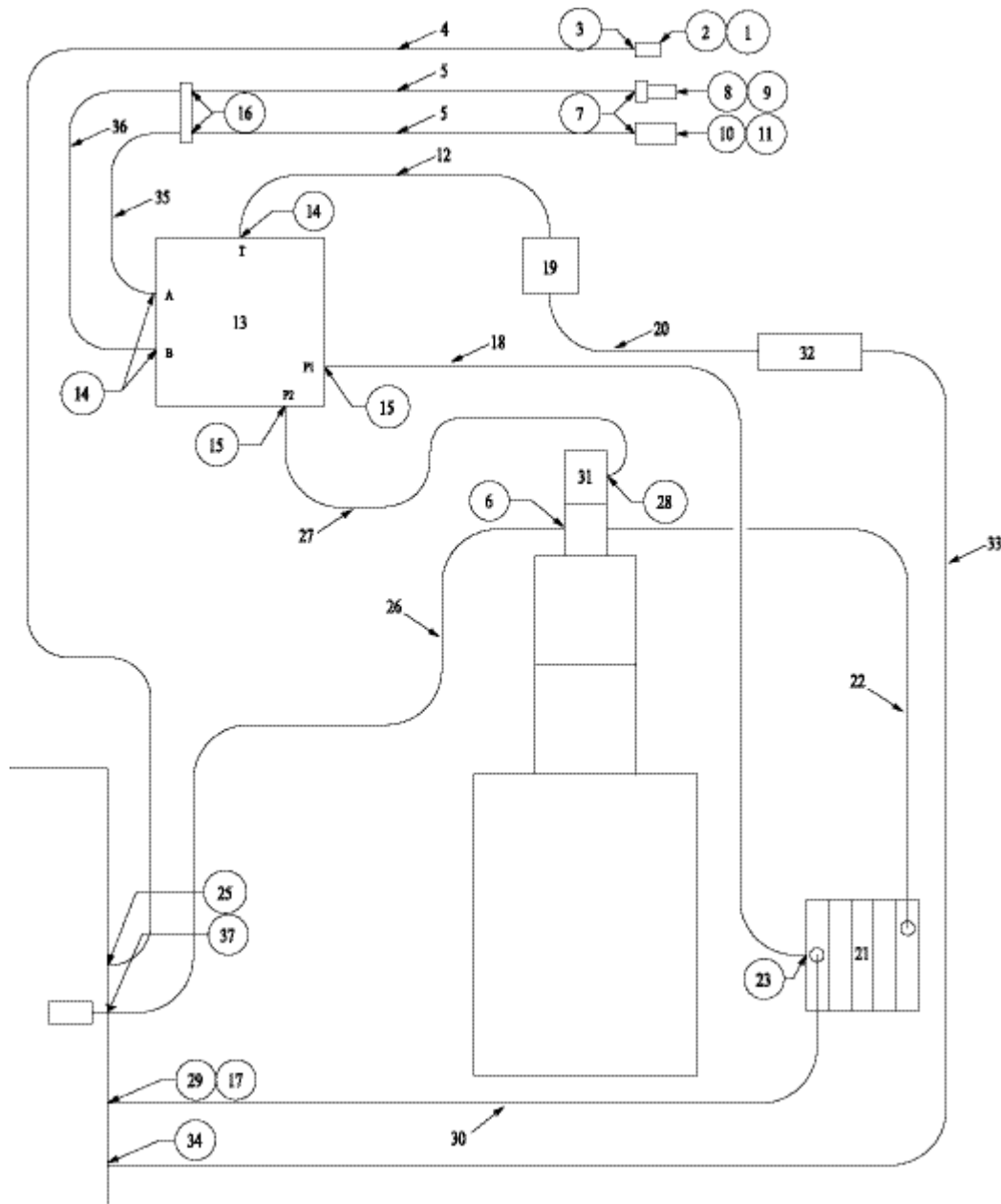


ITEM	PART	QTY	DESCRIPTION	ITEM	PART	QTY	DESCRIPTION
1.	049491SP	1	Pump, Tandem Assembly 245 bar	20.	964577SP	1	Hose, Hydraulic 3/8 x 16" (Brake valve port 1 to LH motor brake release port Z)
2.	049986SP	1	Pump, Gear	21.	964968SP	1	Hose, Hydraulic 3/8 x 19" (LH motor case drain to brake valve port 4)
3.	964568SP	1	Hose, Hydraulic 1 1/4 x 56" (Tank to gear pump)	22.	048011SP	2	Motor, Hydraulic Assembly 680 cc
4.	964573SP	1	Hose, Hydraulic 3/4 x 63" (Tandem pump drain to tank)	23.	046913SP	1	Valve, 2 pos 4 way w/check man override
5.	964971SP	1	Hose, Hydraulic 3/8 x 22" Hi-Pressure (Gauge ports to tee in front motor ports)	24.	033850SP	1	Elbow, 90°
6.	961763SP	1	Hose, Hydraulic 3/4 x 38" (Bottom of rear pump to RH motor front)	25.	025011SP	1	Elbow, 90°
7.	961762SP	1	Hose, Hydraulic 3/4 x 42" (Top of rear pump to RH motor rear)	26.	014866SP	1	Elbow, 90°
8.	961747SP	1	Hose, Hydraulic 5/8 x 57.5" (Gear pump to valve)	27.	038652SP	1	Elbow, 90°
9.	961762SP	1	Hose, Hydraulic 3/4 x 42" (Bottom of front pump to LH motor front)	28.	049037SP	1	Tee, Branch
10.	961763SP	1	Hose, Hydraulic 3/4 x 38" (Top of front pump to LH motor rear)	29.	021121SP	2	Connector, Male
11.	964572SP	1	Hose, Hydraulic 1 x 52" (Tee in tank to change inlet)	30.	021128SP	1	Elbow, 90°
12.	964576SP	1	Hose, Hydraulic 3/8 x 54" (Tee at pump charge gauge port to brake valve port 2)	31.	026641SP	1	Tee, Run
13.	964582SP	1	Hose, Hydraulic 3/8 x 57" (Check valve tee to charge pump gauge port tee)	32.	019238SP	2	Connector, Male
14.	964972SP	1	Hose, Hydraulic 3/8 x 26" (Gauge port to tee in front motor port)	33.	043146SP	1	Tee, Run
15.	964967SP	1	Hose, Hydraulic 3/8 x 28" (LH motor case drain to RH motor case drain)	34.	036713SP	1	Elbow, 90°
16.	964578SP	1	Hose, Hyd. 3/8 x 11" (LH motor brake release port Z to RH motor brake release port Z)	35.	043189SP	1	Tee, Branch
17.	964574SP	1	Hose, Hydraulic 1/2 x 73" (Tank drain to LH motor case drain)	36.	036855SP	1	Elbow, 90°
18.	964970SP	1	Hose, Hyd. 1/4 x 13" (LH motor active brake port X to RH motor active brake port X)	37.	021128SP	1	Elbow, 90°
19.	964969SP	1	Hose, Hydraulic 3/8 x 13" (Brake valve port 3 to LH motor active brake port X)	38.	047842SP	1	Tee, Branch
				39.	042292SP	1	Cap
				40.	021553SP	1	Elbow, 90°
				41.	049035SP	2	Tee, Branch
				42.	043064SP	2	Elbow, 90°
				43.	008104SP	2	Connector
				44.	038386SP	2	Elbow, 90°
				45.	036713SP	1	Elbow, 90°
				46.	019240SP	1	Connector, Male
				*	018767SP	2	Plug, Hex Head (Located under torque motors)

\* Items not shown in diagram.

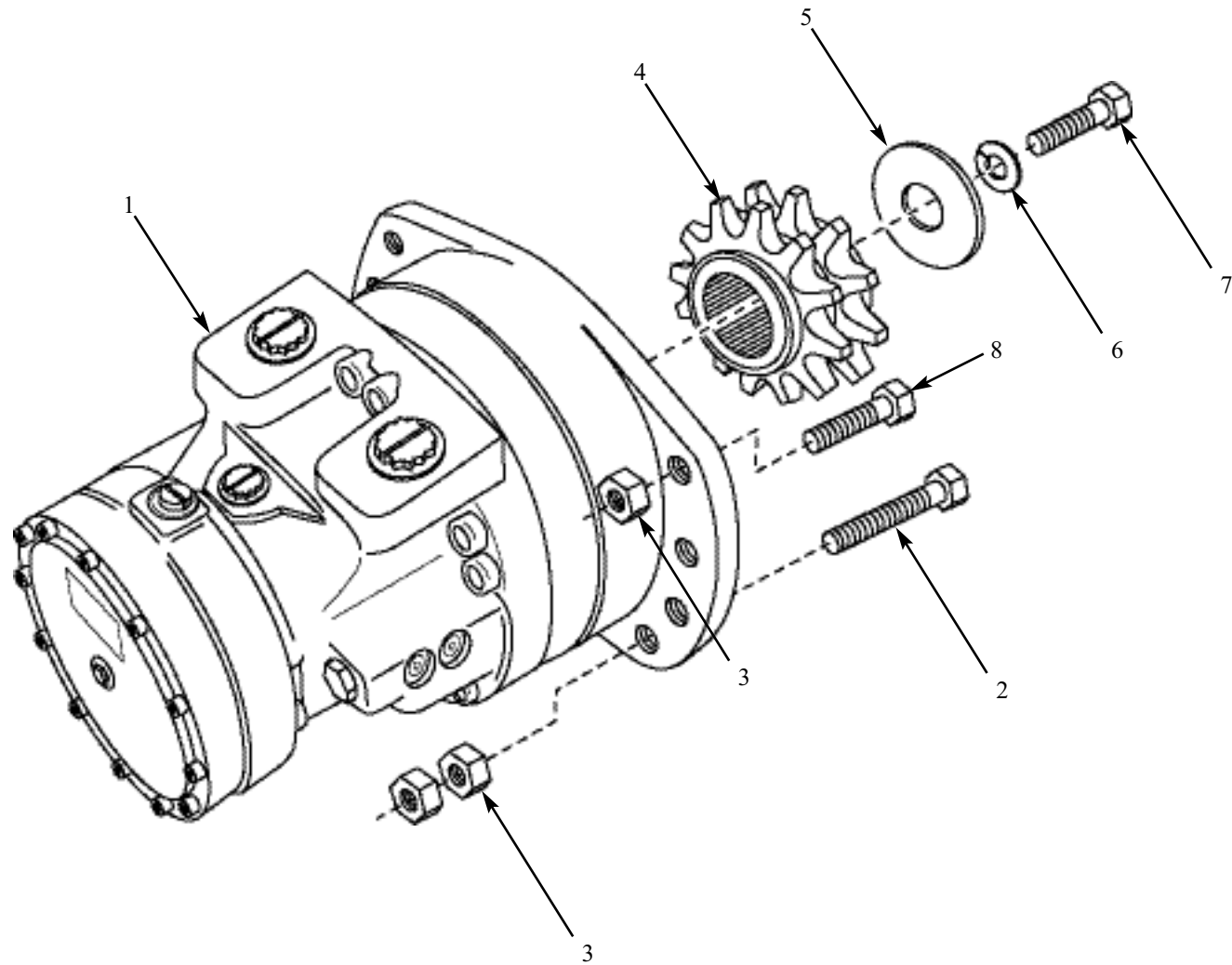


ITEM	PART	QTY	DESCRIPTION
1.	049491SP	1	Pump, Tandem Assembly 345 bar
2.	049986SP	1	Pump, Gear
*	046579SP	1	Kit, Seal Servo Pump
*	049989SP	1	Kit, Seal, Gear Pump, 29cc E-Series



ITEM	PART	QTY	DESCRIPTION
1.	048594SP	1	Cap, Dust for Female Flush Face Coupling
2.	048592SP	1	Coupling, Quick Disconnect, Female, Flush Face
3.	029437SP	1	Connector, Bulkhead
4.	964696SP	1	Hose, Hydraulic 1/2" x 83 5/8" (Attachment return)
5.	964697SP	2	Hose, Hydraulic 3/4 x 87 7/16" (Tank bulkheads to quick couplers)
6.	038768SP	1	Elbow, 90°
7.	048680SP	2	Connector, Bulkhead
8.	043920SP	1	Coupling, Quick Disconnect, Male, Flush Face
9.	043922SP	1	Cap, Dust for Male Flush Face Coupling
10.	043919SP	1	Coupling, Quick Disconnect, Female, Flush Face
11.	043921SP	1	Cap, Dust for Female Flush Face Coupling
12.	964702SP	1	Hose, Hydraulic 3/4" x 117 15/16" (Hi-flow valve to oil cooler inlet)
13.	049060SP	1	Valve, Hydraulic Manifold 255 Hi-Flow
14.	014867SP	3	Connector
15.	014866SP	2	Elbow, 90°
16.	048736SP	2	Connector, Bulkhead
17.	026641SP	1	Tee, Run
18.	964704SP	1	Hose, Hydraulic 3/4" x 75 15/16" (Control valve to hi-flow valve P1)
19.	048919SP	1	Radiator/Oil Cooler Assy
20.	964570SP	1	Hose, Hydraulic 3/4" x 84" (Cooler to filter inlet)
21.	047804SP	1	Valve, Hyd, Assy Sol Aux w/Control Boxes
22.	961747SP	1	Hose, Hydraulic 5/8" x 57.5" (Gear Pump to valve)
23.	044462SP	1	Plug, Power Beyond
25.	029437SP	1	Connector, Bulkhead
26.	964700SP	1	Hose, Hydraulic 1 1/4" x 61" (Tank to gear pump inlet)
27.	964701SP	1	Hose, Hydraulic 3/4" x 75 3/8" (Gear pump outlet to hi-flow valve P2)
28.	014866SP	1	Elbow, 90°
29.	021701SP	1	Elbow, 90°
30.	964703SP	1	Hose, Hydraulic 1/2" x 51 3/4" (Control valve T port to tank)
31.	049061SP	1	Pump, Gear Double 29/29CC
32.	043539SP	1	Filter, Hydraulic Assy
33.	964571SP	1	Hose, Hydraulic 3/4" x 22.5" (Filter outlet to tank)
34.	049036SP	1	Tee, Branch
35.	964699SP	1	Hose, Hydraulic 3/4" x 20 15/16" (Port A of hi-flow valve to bulkhead)
36.	964698SP	1	Hose, Hydraulic 3/4" x 19 15/16" (Port B of hi-flow valve to bulkhead)
37.	036711SP	1	Elbow, G-Pump Suction Hose At Tank



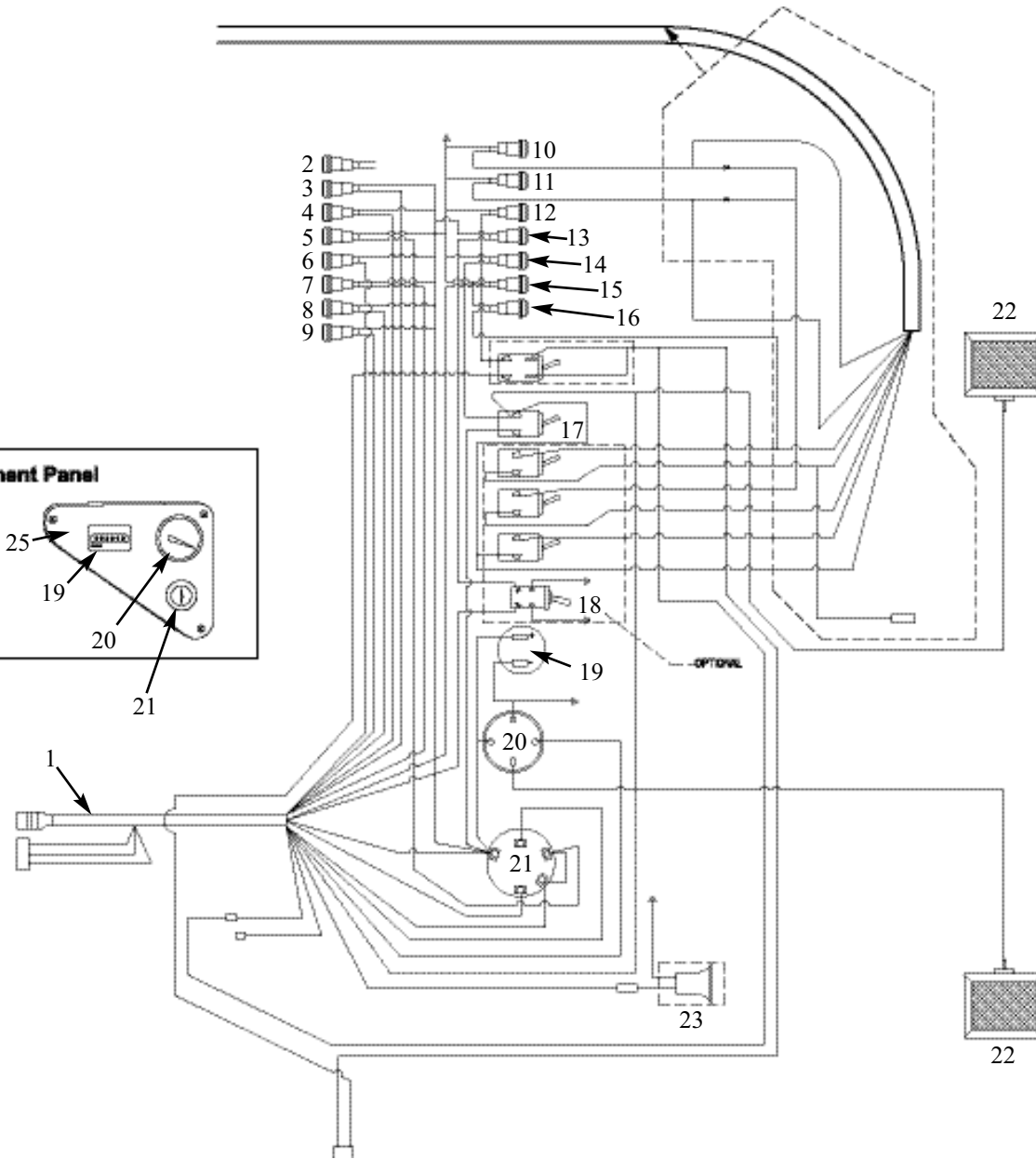
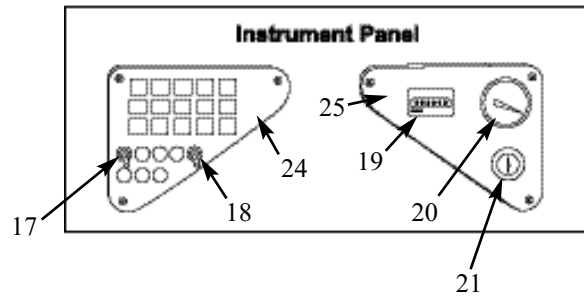
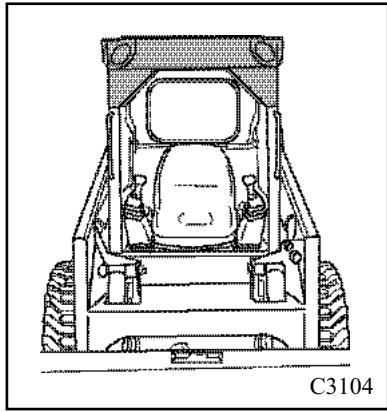


ITEM	PART	QTY (per motor)	DESCRIPTION
1.	048011SP	1	<b>Motor, Hydraulic Assy 750/410 cc, 2 required</b>
2.	001547SP	7	Bolt, Hex 5/8 x 2 1/2"
3.	025091SP	15	Nut, Hex 5/8
4.	048345SP	1	Sprocket, Drive 12T100 DS (Wheel Option)
	049593SP	1	Sprocket, Drive (Track Option)
5.	048479SP	1	Sheet, Retaining Washer
6.	021558SP	1	Washer, Lock
7.	026859SP	1	Bolt, Hex
8.	001150SP	1	Bolt, Hex 5/8 x 2"
*	049074SP	1	Seal Kit
*	049085SP	1	Kit, Brake Service
*	049084SP	1	Shaft Seal
*	049086SP	1	Shaft Seal Insertion Tool
*	049087SP	1	Brake External Seal Insertion Tool

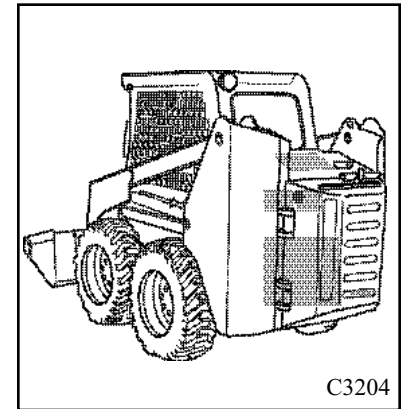
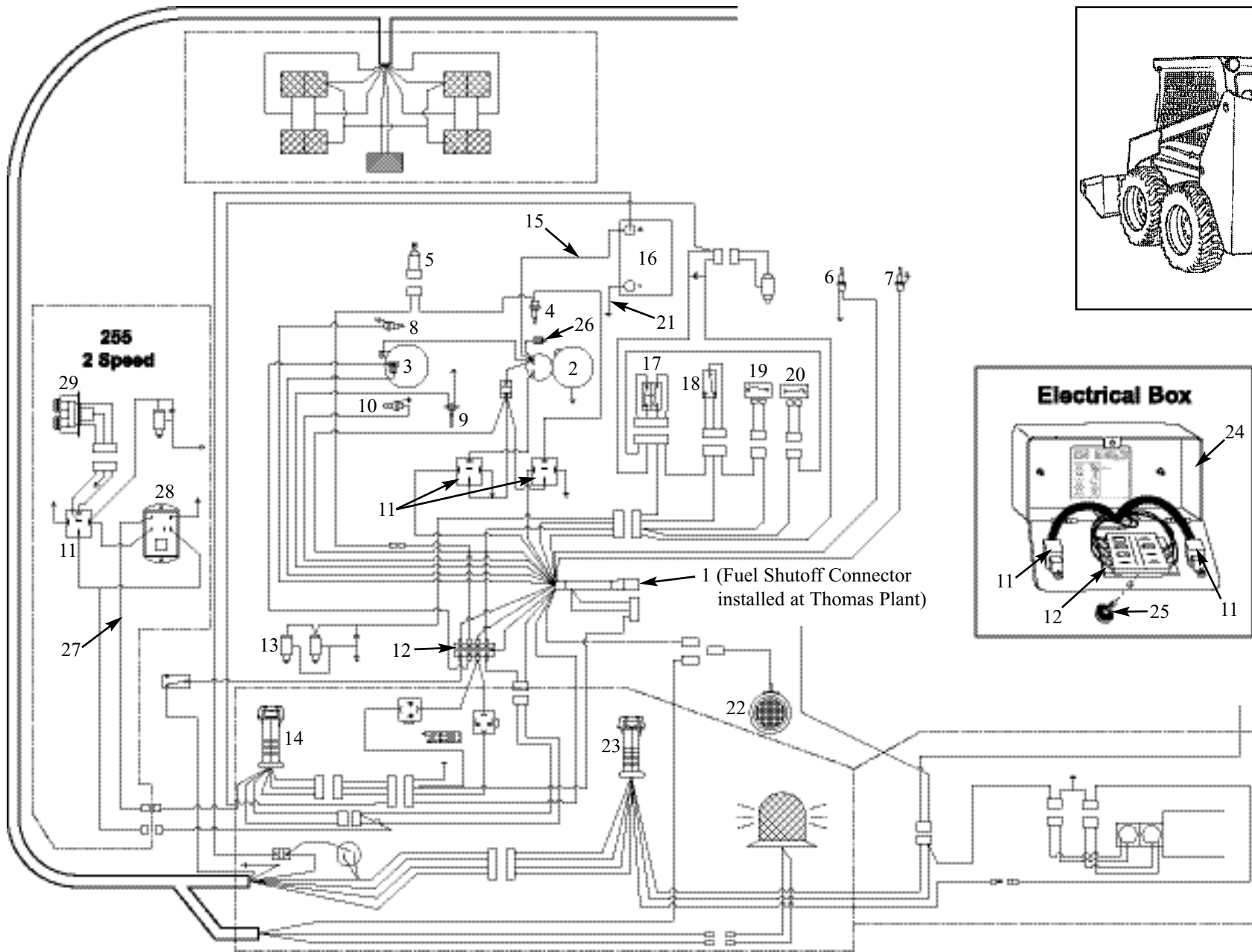
\* Items not shown.

## 6. ELECTRICAL SYSTEM

Electrical Wiring, ROPS .....	6.1
Electrical Wiring, Engine.....	6.2



ITEM	PART	QTY	DESCRIPTION	Harness Clamps			
1.	042065SP	1	Harness, ROPS Assy.	*	042433SP	1	Clamp, #8
2.	039972SP	1	Indicator Light, Low Charge Pressure	*	042435SP	4	Clamp, #12
3.	039972SP	1	Indicator Light, Brake	*	042442SP	2	Clamp, #18
4.	039972SP	1	Indicator Light, Battery	* Items not shown.			
5.	039972SP	1	Indicator Light, Preheat				
6.	039972SP	1	Indicator Light, Air Filter				
7.	039972SP	1	Indicator Light, Hydraulic Oil Temperature				
8.	039972SP	1	Indicator Light, Coolant Temperature				
9.	039972SP	1	Indicator Light, Engine Oil Pressure				
10.	039972SP	1	Indicator Light, Directional Indicator LH				
11.	039972SP	1	Indicator Light, Directional Indicator RH				
12.	039972SP	1	Indicator Light, Hi-Flow Hydraulics				
13.	039972SP	1	Indicator Light, Auxiliary Hydraulics				
14.	039972SP	1	Indicator Light, Lights Dipped Low Beam				
15.	039972SP	1	Indicator Light, Seat Belt				
16.	039972SP	1	Indicator Light, Beacon				
17.	039123SP	1	Switch, Toggle SPST (Headlights)				
18.	039124SP	1	Switch, Toggle DPST (Auxiliary Hydraulics)				
19.	038761SP	1	Hour Meter				
20.	038577SP	1	Fuel Gauge				
21.	044961SP	1	Ignition Switch				
*	044960SP	1	Key, Steel, Ignition (Pair)				
22.	046836SP	2	Lamp, Oval				
*	963681SP	1	Oval Light Mounting Bracket Assy. LH				
*	963682SP	1	Oval Light Mounting Bracket Assy. RH				
*	046831SP	2	Harness, Wire Oval Lamp				
23.	040918SP	1	Horn (Optional)				
24.	046686SP	1	Panel, LH Instrument Assy.				
25.	038794SP	1	Panel, RH Instrument Assy.				

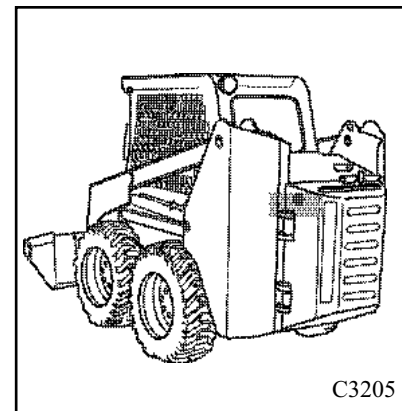
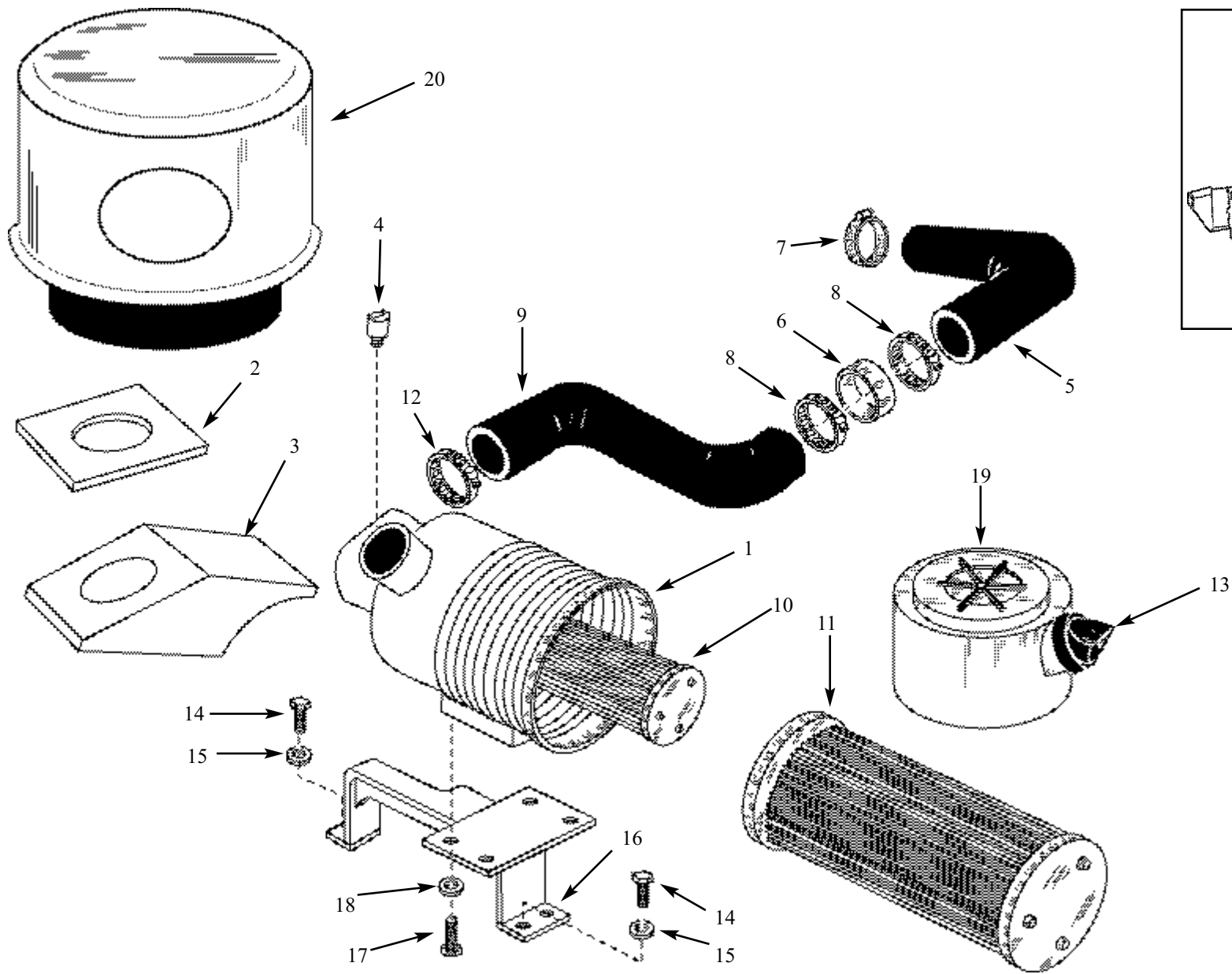


ITEM	PART	QTY	DESCRIPTION
1.	051538SP	1	Harness, Engine Wire
2.	044895SP	1	Starter, Engine V3300T
3.	044894SP	1	Alternator, 60A, Internal Regulator
4.	044896SP	1	Glow Plug, Steel, V3300T
5.	044903SP	1	Solenoid, Engine Stop V3300T
6.	042407SP	1	Indicator, Service Electrical (Air)
7.	037206SP	1	Switch, Temperature Sender, 12 Volt (Hyd. Oil Temp.)
8.	018274SP	1	Switch, Oil (Engine Oil Pressure)
9.	041627SP	1	Sender, Fuel Level
10.	037206SP	1	Switch, Temperature Sender, 12 Volt (Water Temp.)
11.	039840SP	3	Relay, 12V 40A SPDT Form C c/w Bracket
12.	039540SP	1	Panel, Fuse
*	039121SP	A/R	Fuse, Automotive, 15 Amp (5 per pack)
*	039122SP	A/R	Fuse, Automotive, 10 Amp (5 per pack)
13.	***	1	See Section 4.9
14.	044182SP	1	Handle, Ergonomic w/ Rocker & 2 PB Switches
*	048467SP	1	Switch, Rocker
*	048468SP	1	Cover, Rocker Switch Cover
15.	042064SP	1	Cable, Battery Assy. Dual w/ Boosting Cable
16.	038870SP	2	Battery, CCA 730 Dual Terminal 12V w/Handle
17.	042950SP	1	Switch, Dual c/w Bracket
18.	***	1	See Section 1.8
19.	038516SP	1	Switch, Seat, Quick Mount Normally Open
20.	042951SP	1	Switch, Contact Body Assy. (Stop Button) (Optional)
21.	038871SP	2	Cable, Ground 16"
22.	029971SP	1	Rear Work Light
23.	044181SP	1	Handle, Ergonomic Plain
24.	961693SP	1	Box, Electrical Assy.
25.	042070SP	1	Knob, Black w/ Stud
26.	037104SP	1	Lug, External Boosting
27.	048908SP	1	Harness, Two Speed
28.	048920SP	1	Control, Shift w/Relay
29.	048921SP	1	Light, Indicator 2 Speed
*	048912SP	1	Harness, Mainframe
*	047336SP	1	Harness, Wire Lighting (CE only)
*	042187SP	1	Alarm, Back-Up (Optional)
*	038752SP	1	Switch, Back-Up Alarm (Optional)

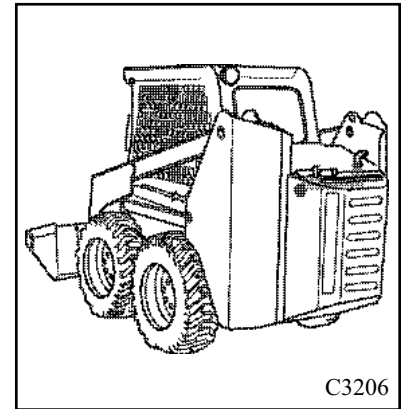
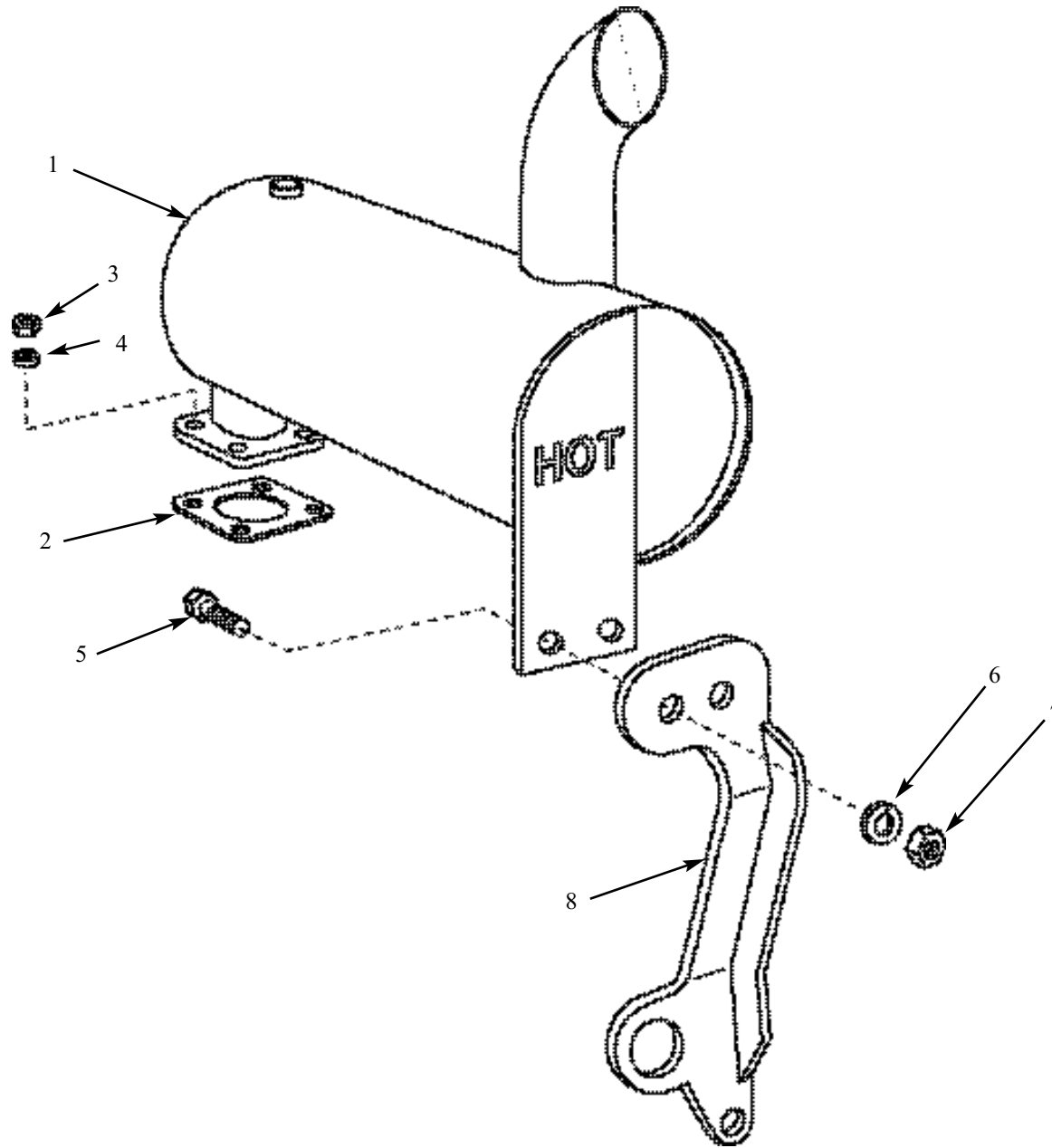
## 7. ENGINE EQUIPMENT

Air Cleaner .....	7.1
Exhaust System .....	7.2
Engine Accessories.....	7.3
Engine.....	7.4

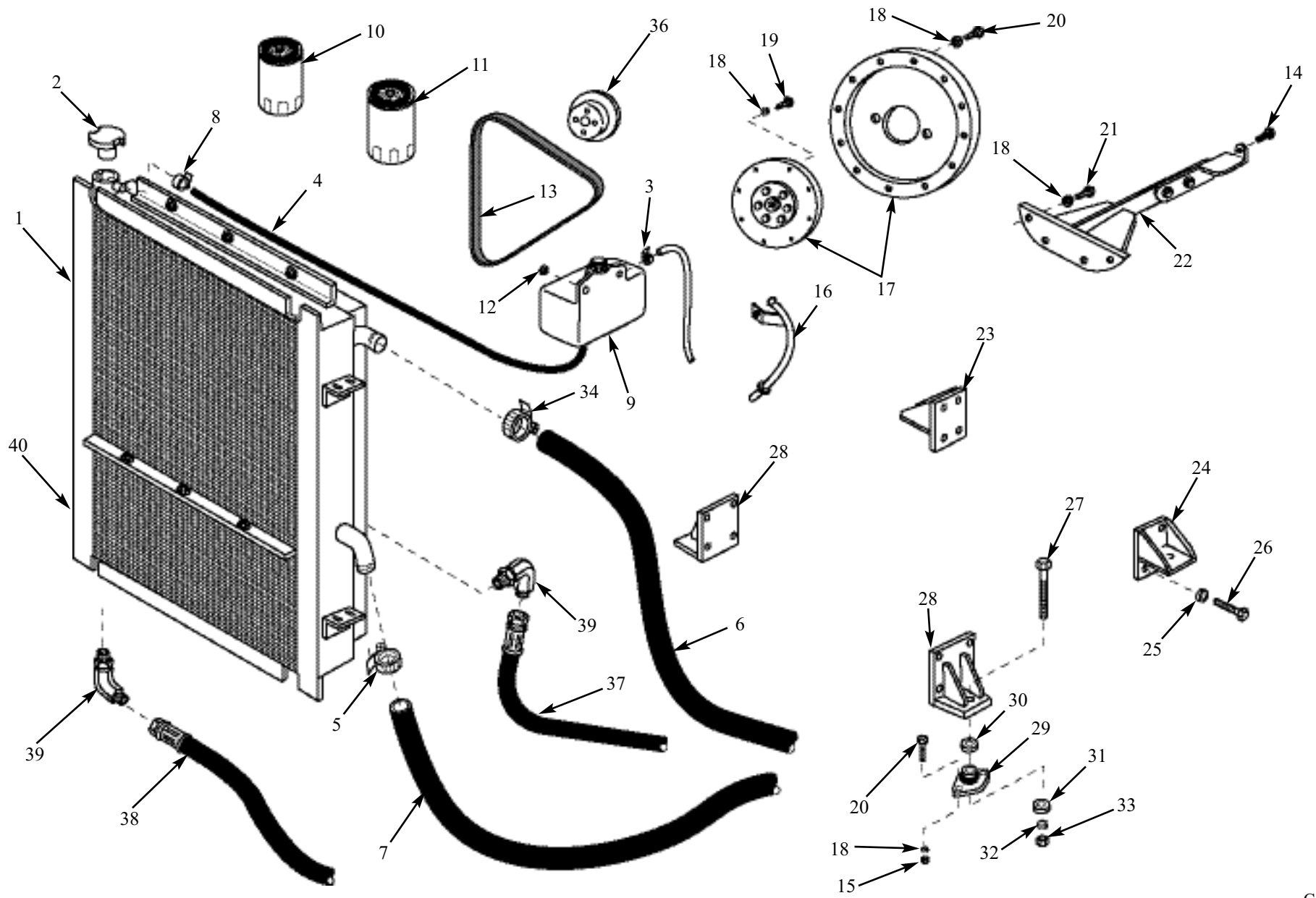




ITEM	PART	QTY	DESCRIPTION
1.	044828SP	1	Cleaner, Air Assembly 8"
2.	044761SP	1	Foam, Air Intake Gasket
3.	044756SP	1	Foam, Air Cleaner Seal
4.	042407SP	1	Indicator, Restrictor Elect. 20"
5.	044435SP	1	Hose, Molded Air Intake Part A
6.	044816SP	1	Tube
7.	006268SP	1	Clamp, Hose #32
8.	044820SP	2	Clamp, Hose #44
9.	044436SP	1	Hose, Molded Air Intake Part B
10.	044908SP	1	Element, Fiber Inner Air (Safety)
11.	044909SP	1	Element, Paper, Outer Air (Primary)
12.	044821SP	1	Clamp, Hose #64
13.	042422SP	1	Vacuator
14.	024790SP	3	Bolt, Hex
15.	021028SP	3	Washer, Lock
16.	962891SP	1	Air Cleaner Mount
17.	019029SP	4	Bolt, Hex
18.	021029SP	4	Washer, Lock
19.	044910SP	1	Cover, Plastic, Air Cleaner
20.	044758SP	1	Precleaner, 4" inlet w/gasket for 3.75" inlet

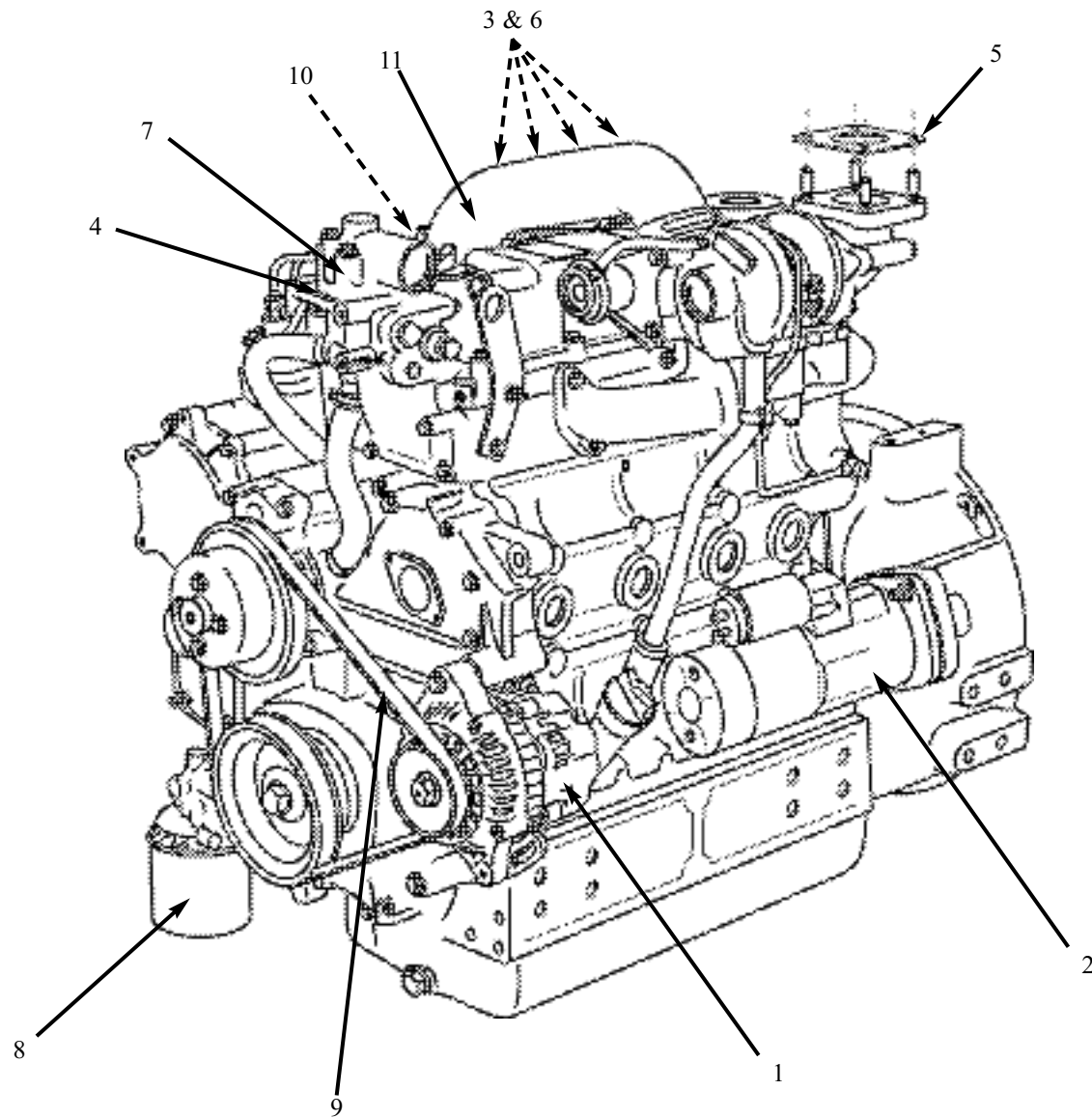


ITEM	PART	QTY	DESCRIPTION
1.	047825SP	1	Muffler, Assy
	048204SP	1	Muffler, Assy w/ Tailpipe Insulated (CE Only)
2.	044898SP	1	Gasket, Steel, Muffler
3.	038420SP	4	Nut
4.	021028SP	4	Lock washer
5.	001193SP	2	Bolt, Hex
6.	001642SP	2	Washer, Lock
7.	001194SP	2	Nut, Hex
8.	963256SP	1	Muffler Support Assy.



ITEM	PART	QTY	DESCRIPTION	ITEM	PART	QTY	DESCRIPTION
1.	052055SP	1	Radiator Assy.	32.	001647SP	4	Washer, Lock
2.	049075SP	1	Cap, Steel, Radiator	33.	025091SP	4	Nut, Hex
3.	034919SP	1	Clamp	34.	006268SP	1	Clamp, Hose #32 (S/N LR000115 onward)
4.	000407SP	6 ft.	Hose, Fuel	36.	049271SP	1	Pulley, V 130 mm Dia.
5.	006268SP	3	Clamp, Hose #32		049269SP	1	Pulley, V 154 mm Dia. (CE Models)
6.	051160SP	1	Hose, Top Radiator (S/N LR000115 onward)	37.	964570SP	1	Hose, Hydraulic (Cooler top to filter inlet)
7.	051120SP	1	Hose, Coolant Bottom	38.	964569SP	1	Hose, Hydraulic (Cooler bottom to Control Valve)
8.	019949SP	2	Clamp, Fuel Line	39.	038386SP	2	Elbow, 90°
9.	042737SP	1	Reservoir, Coolant	40.	052056SP	1	Cooler Ass'y
*	044850SP	1	Cap, Over Flow Jug	*	044900 SP	1	Thermostat, Steel, V3300T
10.	042561SP	1	Fuel Filter	*	044897 SP	1	Gasket, Fiber, Thermostat, V3300T
11.	044901SP	1	Filter, Engine Oil, V3300T	*	044899 SP	4	Nozzle, Steel, V3300T
12.	043558SP	2	Nut, Flange	*	035530SP	4	Copper Seal Washer (for Injector)
13.	044902SP	1	Belt, Rubber "V" V3300T (Standard - S/N LR000101 onward)				
	049268SP	1	Belt, V (CE Models - S/N LR000186 onward)				
14.	026859SP	2	Bolt, Hex Socket Head				
15.	001194SP	8	Nut, Hex				
16.	044815SP	1	Tube, Dipstick				
17.	044706SP	1	Kit, Adapter				
18.	001642SP	28	Washer, Lock				
19.	001193SP	8	Bolt				
20.	001387SP	16	Bolt, Hex				
21.	008280SP	4	Bolt				
22.	965071SP	1	Pump Support Assy.				
23.	962885SP	1	Mount, LH Rear Assy.				
24.	962886SP	1	Mount, RH Rear Assy.				
25.	021558SP	16	Washer, Lock				
26.	021557SP	16	Bolt, Hex				
27.	001529SP	4	Bolt, Hex				
28.	962887SP	2	Front Mount Assy.				
29.	044744SP	4	Isolator, Engine				
30.	044746SP	4	Washer, Overload				
31.	044745SP	4	Washer, Rebound				

\* Item not shown



ITEM	PART	QTY	DESCRIPTION
	<b>049276SP</b>	<b>1</b>	<b>Engine Assembly V3300T</b>
1.	044894SP	1	Alternator, 60A, Internal Regulator
2.	044895SP	1	Starter, Engine
3.	044896SP	4	Glow Plug, Steel
4.	044897SP	1	Gasket, Fiber, Thermostat
5.	044898SP	1	Gasket, Steel, Muffler
6.	044899SP	4	Nozzle, Steel
7.	044900SP	1	Thermostat, Steel
8.	044901SP	1	Filter, Engine Oil
9.	044902SP	1	Belt, Rubber "V" (Standard - S/N LR000101 onward)
	049268SP	1	Belt, V (CE Models - S/N LR000186 onward)
10.	044903SP	1	Solenoid, Engine Stop
11.	048466SP	1	Hose, Crossover
*	042063SP	14 L	Oil, SAE 5W40 API-CF

\* Item not shown in diagram.

\*\* Items 3, 6 and 10 highlight items actually found on the other side of the engine and can not be seen by this view.

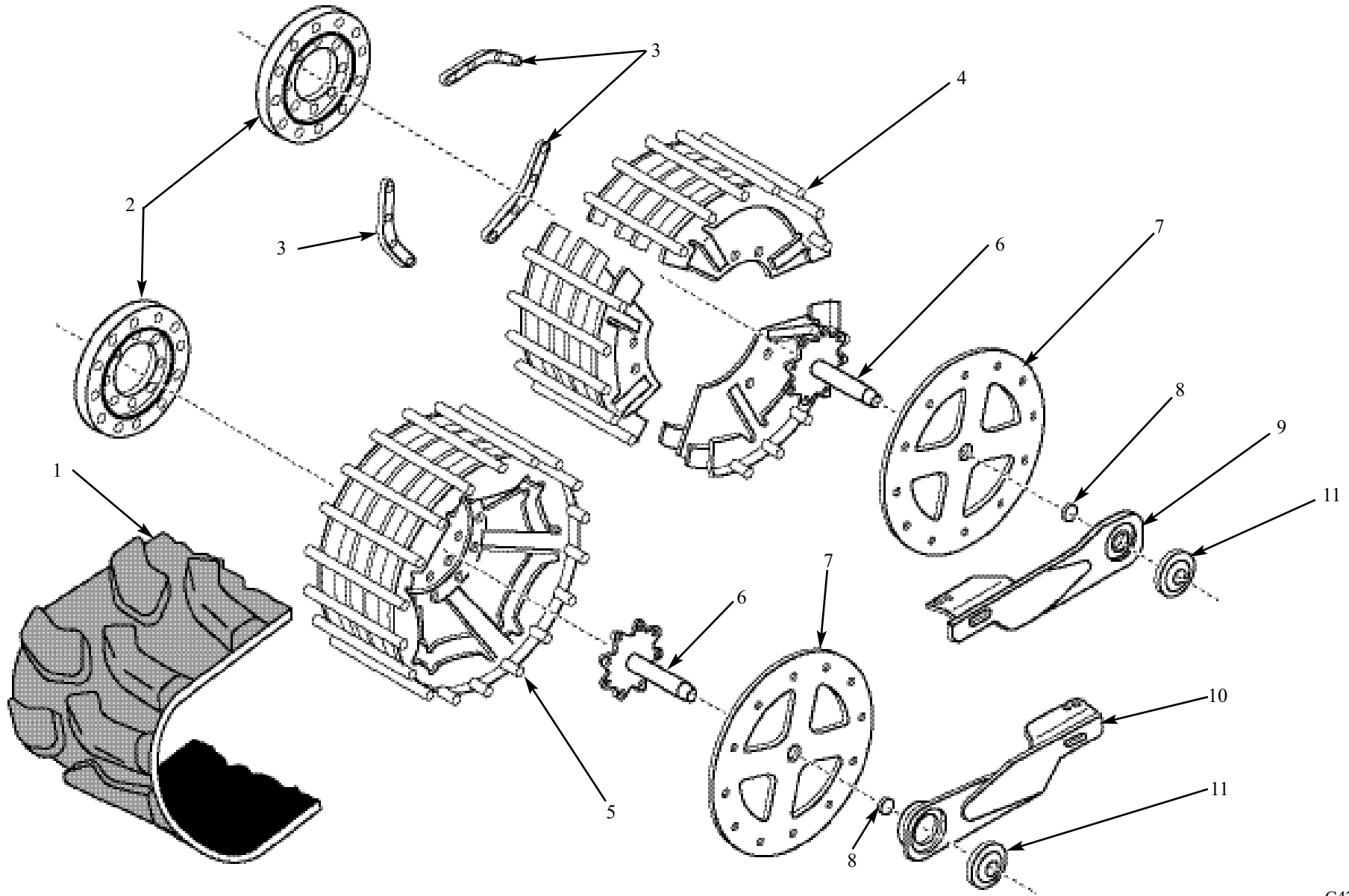


## 8. TRACKS

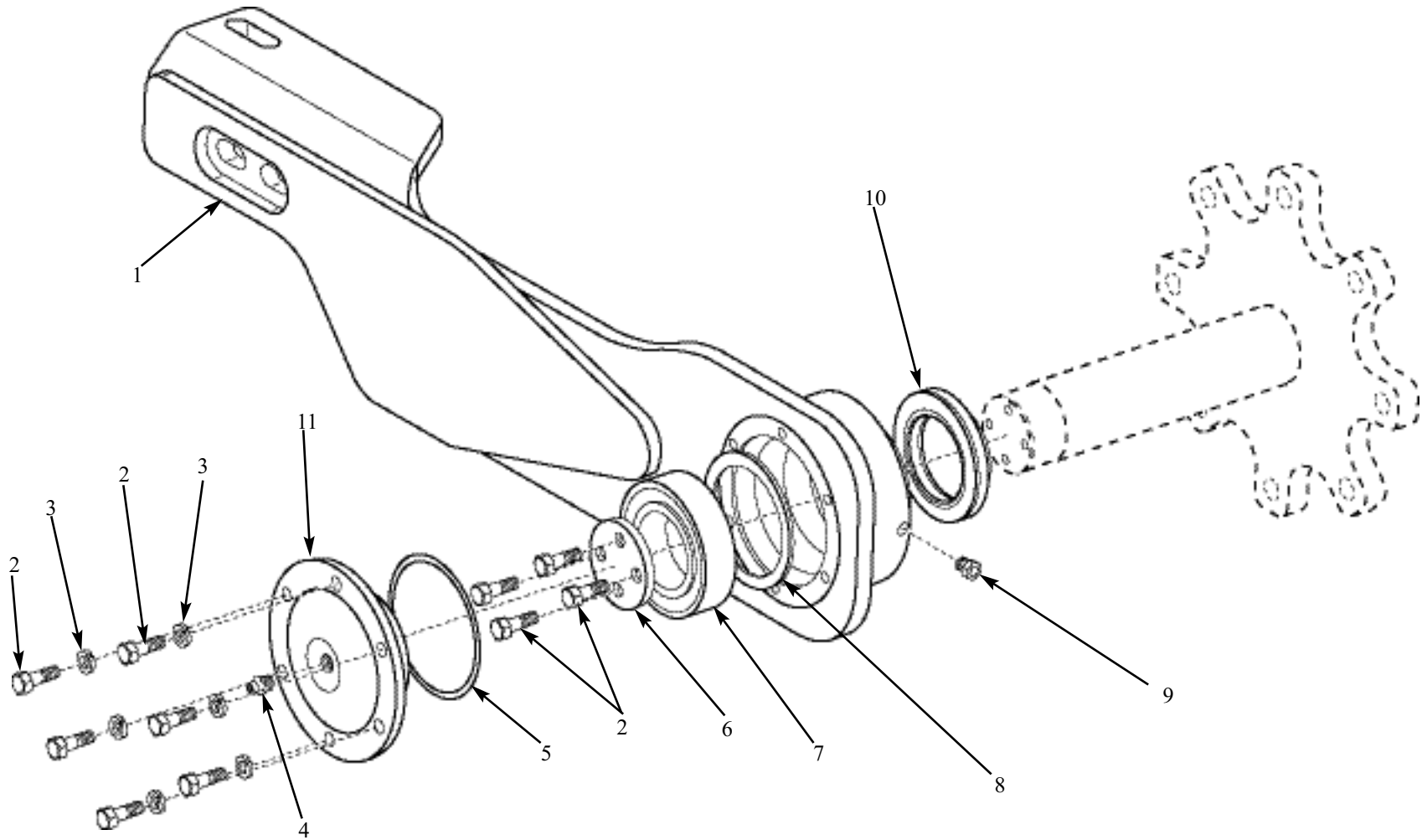
Track Assembly .....	8.1
Locking Arms .....	8.2
Tandem Supports .....	8.3
Idler Assembly .....	8.4

# TRACK ASSEMBLY (R.H. SIDE SHOWN)

8.1

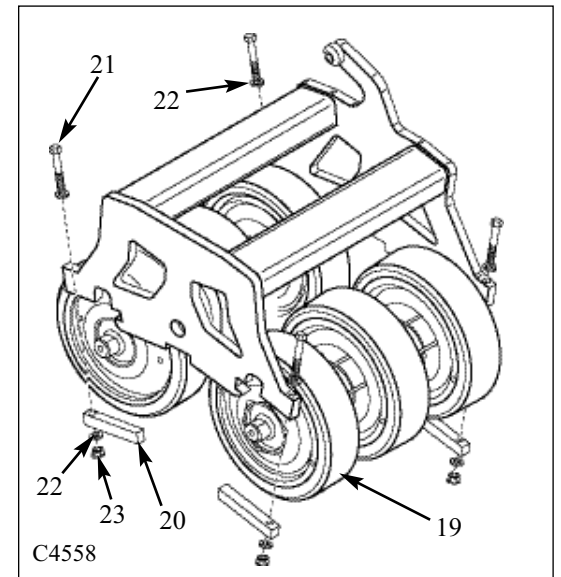
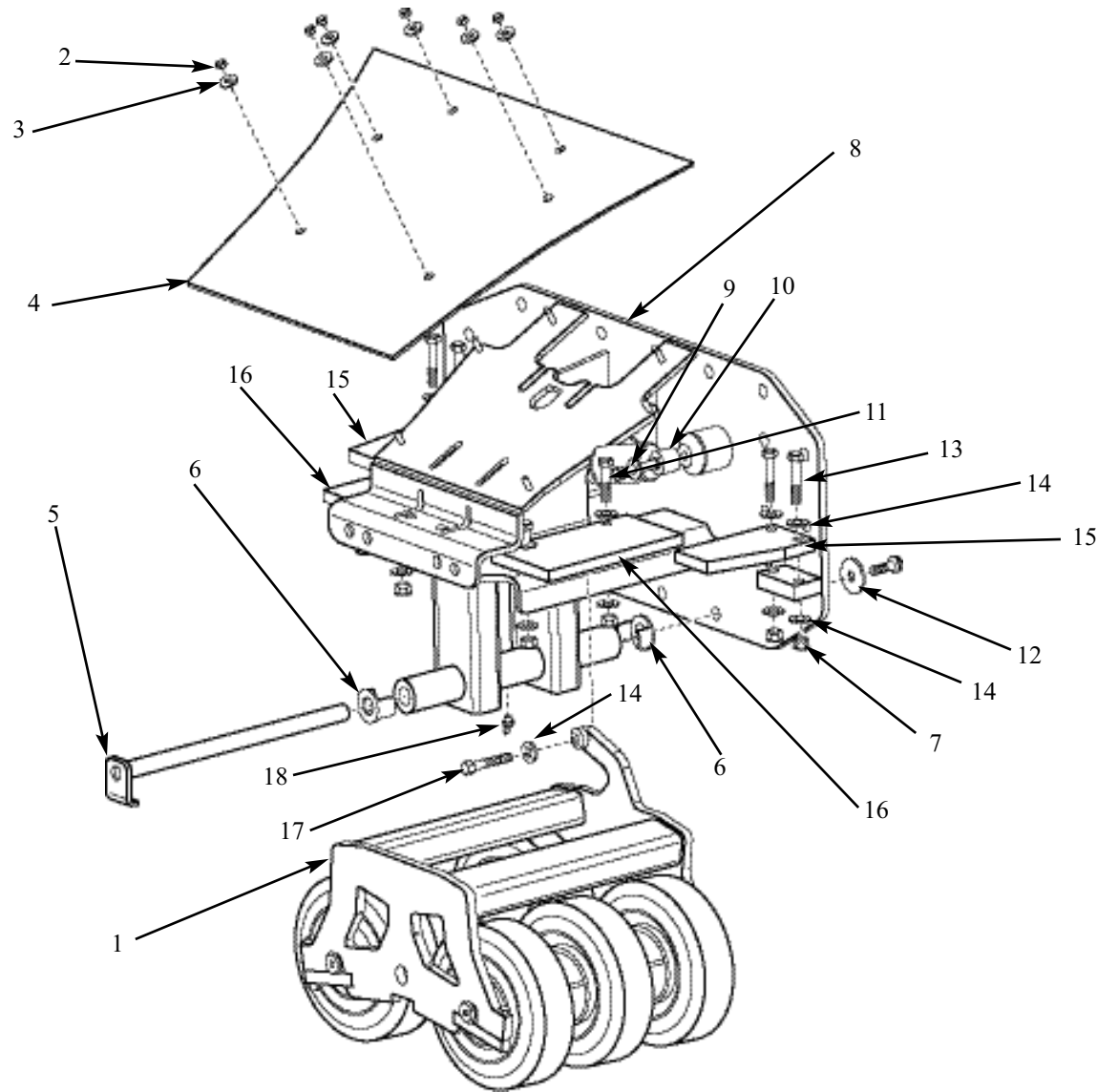


ITEM	PART	QTY	DESCRIPTION
	965556SP	1	Track Kit Complete
1.	049863SP	1	Track
2.	049885SP	2	Track Wheel Mount
3.	049982SP	3	Reinforcement Plates
4.	049887SP	3	Section Of Track Wheel
5.	049888SP	1	Trackwheel, Solid
6.	049886SP	2	Guide Shaft
7.	049981SP	2	Trackwheel Cover
8.	049869SP	2	Bearing Cap
9.	049883SP	1	Locking Arm, RF/LR
10.	049884SP	1	Locking Arm, LF/RR
11.	049880SP	2	Cover, External



ITEM	PART	QTY	DESCRIPTION
1.	049883SP	1	Support Arm, Right Front and Left Rear
	049884SP	1	Support Arm, Left Front and Right Rear
2.	001190SP	10	Hex. Bolt, 5/16" x 1"
3.	001870SP	6	Lockwasher, 5/16"
4.	002010SP	1	Grease Nipple, Straight, 1/8"
5.	049868SP	1	O Ring
6.	049869SP	1	Bearing Cap
7.	049866SP	1	Bearing
8.	049980SP	1	Limiter
9.	049983SP	1	Pressure Relief Valve
10.	049867SP	1	Seal
11.	049880SP	1	Cover, External

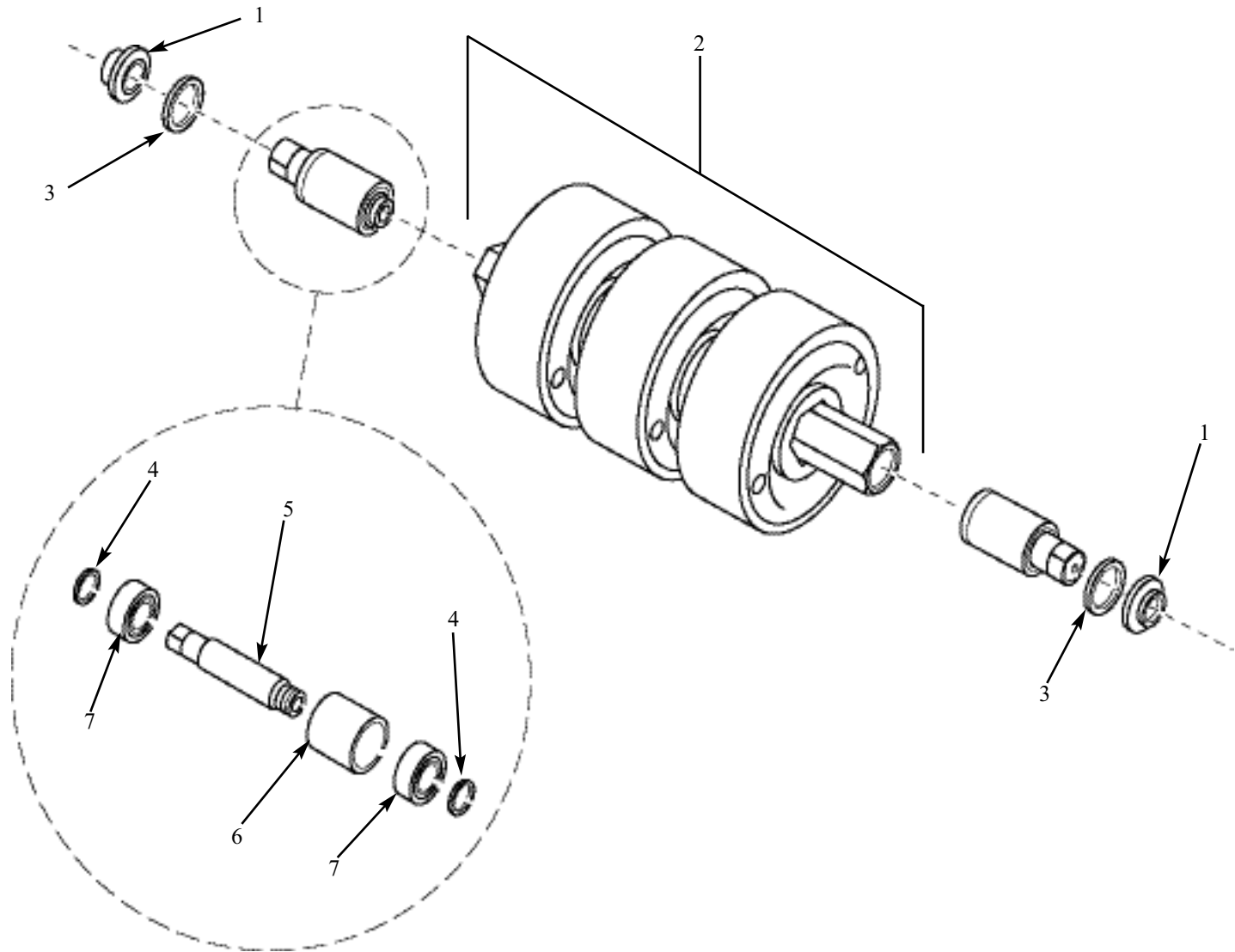
# TANDEM SUPPORTS



ITEM	PART	QTY	DESCRIPTION
1.	049976SP	1	R.H. Tandem Welded Ass'y
	049977SP	1	L/H. Tandem Welded Ass'y
2.	016771SP	5	Hex. Nut, Nylok 5/16"
3.	001651SP	5	Flat Washer, 5/16"
4.	049870SP	1	Plastic Cover
5.	049882SP	1	Bar, Tandem Pivot Ass'y
6.	049872SP	2	Tandem Spacer
7.	008613SP	8	Hex. Nut, Nylok 1/2"
8.	049978SP	1	R.H. Tandem Support Ass'y
	049979SP	1	L.H. Tandem Support Ass'y
9.	001773SP	1	Bolt, Hex. 1/2" x 3"
10.	049873SP	1	Shock
11.	024980SP	4	Bolt, Hex. 1/2" x 2 1/4"
12.	049889SP	1	Fender Washer, 1/2" x 2", O.D.
13.	024980SP	4	Bolt, Hex. 1/2" x 2 1/4"
14.	023385SP	18	Flat Washer, 1/2"
15.	049975SP	2	Scraper, Internal Track Wheel
16.	049871SP	2	External Scrapper
17.	001773SP	1	Hex. Bolt, 1/2" x 3"
18.	049672SP	1	Grease Nipple, 45°
19.	049874SP	2	10" Wheel On Axle, Complete
20.	049881SP	4	Tandem Axle Lock
21.	001671SP	4	Hex. Bolt, 3/8" x 3"
22.	001642SP	8	Flat Washer, 3/8"
23.	007465SP	4	Hex. Nut, 3/8"

\*Qty's Per Side

# IDLER ASSEMBLY





<b>ITEM</b>	<b>PART</b>	<b>QTY</b>	<b>DESCRIPTION</b>
1.	052111SP	8	Seal
2.	052121SP	4	10" Plastic Wheels On Tube
3.	052110SP	8	Retainer
4.	052109SP	16	Snap Ring
5.	052106SP	8	Shaft
6.	052107SP	8	Bearing, Spacer Sleeve
7.	052108SP	16	Bearing

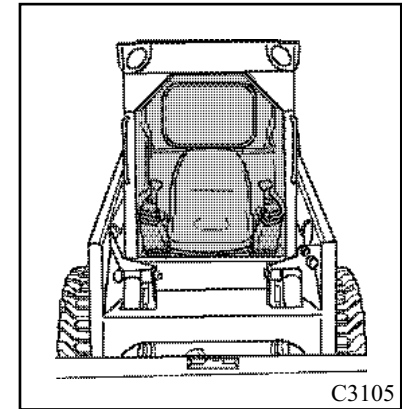
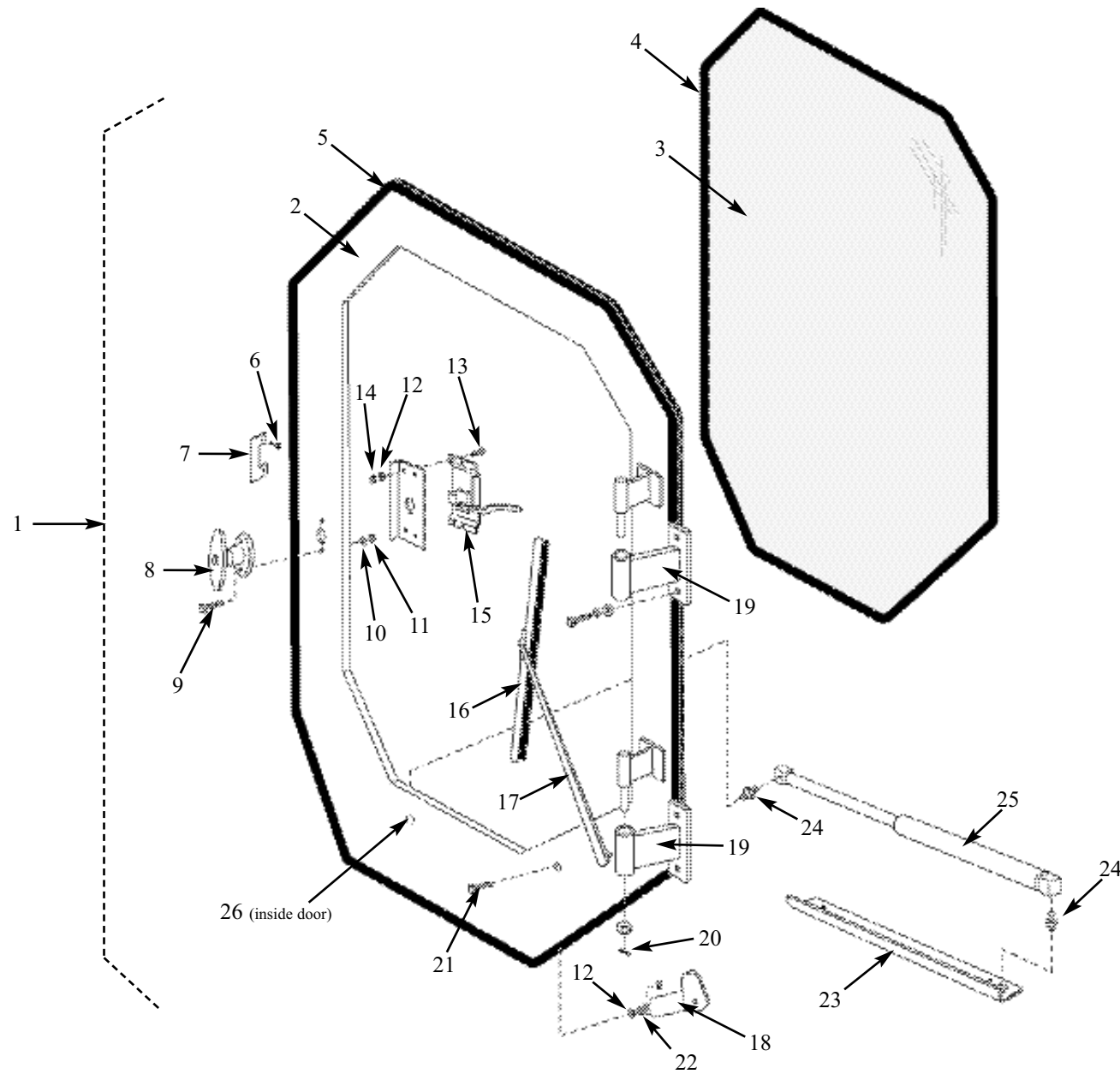
## 8. OPTIONAL EQUIPMENT

The following kits are OPTIONAL and can be added as extra equipment.  
Some of the options listed below are standard on some machines.

Cab Enclosure.....	9.1
Cab Heater.....	9.2
Cab Door.....	9.3
Side Windows - Painted.....	9.4
Block Heater.....	9.5
Horn.....	9.6
Backup Alarm.....	9.7
Self Level Valve.....	9.8
Hand Controls.....	9.9
Hi-Flow.....	9.10
Optional Wheel Equipment.....	9.11
Hydraulic Oil Heater.....	9.12
Interior Light & Exterior Trouble.....	9.13
Driving Lamp.....	9.14
Purifier.....	9.15
Mirror, External Rear View.....	9.16
Mirror, Internal Rear View.....	9.17
Stop Switch.....	9.18
Cab Liner.....	9.19
Flat Face Adaptor to Poppet.....	9.20
Wheel Ready Conversion Kit.....	9.21

<b>PART</b>	<b>QTY</b>	<b>DESCRIPTION</b>
<b>U-3056</b>	<b>1</b>	<b>Kit, Cab Enclosure:</b>
964846SP	1	Kit, Cab Heater
963802SP	1	Kit, Cab Door
963881SP	1	Kit, Side Windows - Painted

PART	QTY	DESCRIPTION	PART	QTY	DESCRIPTION
<b>U-3054</b>	<b>1</b>	<b>Kit, Cab Heater:</b>	005170SP	1	Bolt, Hex 1/4 x 1
037167SP	1	Heater, Cab	001650SP	5	Washer, Flat 1/4
044118SP	2	Elbow, 30D 8 O-Ring x 10 5/8 Hoseheater Fitting	006645SP	1	Nut, Nylok 1/4
031166SP	1	Valve, Heater	038541SP	1	Grommet, 5/16"
031167SP	1	Cable, Heater Valve Control	043033SP	2	Clamp, Twin 1" Tube
037601SP	1	Switch, Heater with Resistors	042076SP	1	Plate, Cover Twin
037606SP	1	Knob, Heater, Plastic Control	049069SP	4	Hole Plug
016019SP	6	Clamp, Hose #10	046669SP	1	Terminal Slide
031156SP	2	Coupling	049372SP	1	Tee, Water Pipe Lower
040722SP	1	Tube, Spacer Heater	015521SP	2	Clamp Hose, #24
000073SP	9.5 ft.	Hose, 5/8, 2 or 3 Standard Wall	042442SP	4	Clamp, Cable
017493SP	1	Clamp, Standard Tube (EMT Strap)	037981SP	5	Tie, Cable, 3 1/2" x 3/32"
029972SP	1	Decal, Heater Control	000415SP	1	Tube, Heli Black
043066SP	3	Terminal, Slide .25 F #16-14 Gafully Insulated			
038303SP	2	Clamp, Tube Twin 5/8"			
038472SP	1	Plate, Cover Twin			
037633SP	2	O-Ring			
039122SP	1	Fuse, Automotive 10 Amp (5 per pack)			
000765SP	7.5 ft.	Loom, Corrugated .250 ID Black			
003625SP	6.5 ft.	Wire, #14 Gauge Yellow Type SXL			
001651SP	2	Washer, Flat			
007458SP	2	Bolt, Hex 5/16 x 2 3/4			
016771SP	2	Nut, Nylok, Hex 5/16			
026715SP	3	Bolt, Hex 6 x 65MM			
040652SP	3	Tube, Spacer Heater			
002279SP	3	Washer, Lock 1/4			



ITEM	PART	QTY	DESCRIPTION
1.	U-2674	1	<b>Kit, Cab Door</b>
2.	963786SP	1	Door Cab Welded Assy.
3.	037243SP	1	Glass, Solid Tempered, Cab Door
4.	015750SP	9 ft.	Weatherstrip, Glass Setting
5.	048601SP	11.75 ft.	Molding, Trim Seal 1/4"
6.	031744SP	4	Screw, Hex Head
7.	032600SP	1	Plate, Latch Block
8.	953780SP	1	Handle, Cab Locking
9.	015885SP	2	Bolt, Stove
10.	002811SP	2	Washer, Lock
11.	006467SP	2	Nut, Hex
12.	001650SP	5	Washer, Flat
13.	005170SP	4	Bolt, Hex
14.	006645SP	4	Nut, Nylok
15.	039891SP	1	Latch, Cab Door RH
16.	037597SP	1	Blade, Wiper 16"
17.	037596SP	1	Arm, Wiper
18.	037275SP	1	Motor, Wiper Single Speed
19.	958336SP	2	Cab Bushing Assy.
20.	001630SP	1	Pin, Cotter
21.	002663SP	1	Bolt, Hex
22.	002279SP	1	Washer, Lock
23.	963775SP	1	Assembly, Cab Door Stop
24.	043005SP	2	Stud, Ball
25.	047050SP	1	Spring, Gas
26.	041792SP	1	Insert, Blind Thread
*	007045SP	1	Wire, End Plug Type F
*	021259SP	2	Pin, Terminal
*	032968SP	1	Receptacle, Pin Terminal "Loosepack" 14-16 Gauge
*	008615SP	0.333 ft.	Tube, Heat Shrink .187
*	015149SP	5 ft.	Wire, #14 Gauge Gray
*	035489SP	0.1	Sealant, Urethane Primerless

<b>PART</b>	<b>QTY</b>	<b>DESCRIPTION</b>
<b>U-2689</b>	<b>1</b>	<b>Kit, Side Windows Painted:</b>
044345SP	26	Screw, Machine 1/4 x 3/4 Pan Head 20TPI Stainless
044237SP	26	Nut, 1/4 Flange 20 TPI Stainless
014869SP	1	Screw, Self Drilling
015931SP	23 ft.	Weatherstrip, 5/16 x 3/4 Shur Stick (50' Roll)
039868SP	8	Washer, Nylon
039869SP	2	Knob, Fluted Black w/ 1/4" 20 Insert
047275SP	1	Window, Glass Sliding LH Side Painted
047276SP	1	Window, Glass Sliding RH Side Painted
039907SP	2	Insulator, Nylon 1/4"
040908SP	2	Bolt, Hex 1/4 x 1 1/4
040909SP	2	Nut, Hex 1/4

<b>PART</b>	<b>QTY</b>	<b>DESCRIPTION</b>
<b>U-2478</b> 029790SP	<b>1</b> 1	<b>Kit, Block Heater:</b> Heater, Block, Kubota



PART	QTY	DESCRIPTION	PART	QTY	DESCRIPTION
<b>U-2682</b>	<b>1</b>	<b>Kit, Horn:</b>	<b>U-2265</b>	<b>1</b>	<b>Kit, Horn (Standard on CE Loader):</b>
040918SP	1	Alarm, Fast Sounding	040918SP	1	Alarm, Fast Sounding
044182SP	1	Handle, Ergonomic w/ Rocker & 2 PB Switches	006081SP	2	Bolt, Hex 5/16 x 3/4
044513SP	1	Bolt, Ergonomic Handle	001651SP	2	Washer, Flat 5/16
006081SP	2	Bolt, Hex 5/16 x 3/4	001870SP	2	Washer, Lock 5/16
001651SP	2	Washer, Flat 5/16	001191SP	2	Nut, Hex 5/16
001870SP	2	Washer, Lock 5/16	039880SP	0.5 ft.	Wire, #18 Gauge Lt. Green Type SXL
001191SP	2	Nut, Hex 5/16	039206SP	1.66 ft.	Wire, #18 Gauge White/Brown Type SXL
039880SP	0.5 ft.	Wire, #18 Gauge Lt. Green Type SXL	039899SP	2	Terminal, Ring #10 Stud 22-18 Gauge Wire
039206SP	4 ft.	Wire, #18 Gauge White/Brown Type SXL	039901SP	1	Terminal, Ring 5/16" Stud 22-18
039899SP	2	Terminal, Ring #10 Stud 22-18 Gauge Wire	039127SP	1	Terminal, Pin .156 Male
039901SP	1	Terminal, Ring 5/16" Stud 22-18	039110SP	1	Tower, 2-Way Weatherpack
039127SP	1	Terminal, Pin .156 Male	039109SP	2	Sleeve, Cable 18-20 AWG Weatherpack
039110SP	1	Tower, 2-Way Weatherpack	039009SP	2	Seal, Cable 14-18 AWG Weatherpack
039109SP	2	Sleeve, Cable 18-20 AWG Weatherpack	008615SP	1 ft.	Tube, Heat Shrink .187
039009SP	2	Seal, Cable 14-18 AWG Weatherpack	003273SP	2	Tie, Cable
008615SP	1 ft.	Tube, Heat Shrink .187	000765SP	0.5 ft.	Loom, Currugated
003273SP	8	Tie, Cable	039122SP	1	Fuse, Automotive 10 Amp (5 per pack)
000765SP	0.5 ft.	Loom, Currugated			
039122SP	1	Fuse, Automotive 10 Amp (5 per pack)			

<b>PART</b>	<b>QTY</b>	<b>DESCRIPTION</b>
<b>U-2481</b>	<b>1</b>	<b>Kit, Backup Alarm:</b>
038752SP	2	Switch, Backup Alarm
042187SP	1	Alarm, Back-Up
043327SP	1	Harness, Backup Alarm
001191SP	6	Nut, Hex 5/16
001651SP	6	Washer, Flat 5/16
001190SP	2	Bolt, Hex 5/16 x 1
001870SP	6	Washer, Lock 5/16
039122SP	1	Fuse, Automotive 10 Amp (5 per pack)
043330SP	2	Sheet, Backup Alarm Spacer
004398SP	2	Bolt Hex 7/16 x 6
006393SP	4	Nut, Hex 7/16
003237SP	2	Bolt, Hex 1/4 x 2 1/2
044323SP	2	Nut, Jam 1/4
043328SP	2	Sheet, Backup Alarm Mount
043337SP	2	Sheet, Backup Alarm Mount
001622SP	4	Bolt, Stove 3/16 x 1
006468SP	4	Washer, Flat 3/16
002811SP	4	Washer, Lock 3/16
006467SP	4	Nut, Hex 3/16
027013SP	4	Washer, Lock 1/8

## SELF LEVEL VALVE

9.8

PART	QTY	DESCRIPTION
<b>U-2942</b>	<b>1</b>	<b>Kit, SLV</b>
043487SP	1	Valve, Self Level Valve
036273SP	2	Bar
042907SP	2	Bolt, Hex 5/16" x 3 1/4"
017438SP	2	Washer, Flat 5/16"
017441SP	2	Washer, Lock 5/16"
024615SP	2	Nut, Hex 5/16"
019226SP	1	Connector
019232SP	1	Elbow 90°
036626SP	2	Tee, Run
963237SP	1	Kit, Hose Ass'y, SLV

<b>PART</b>	<b>QTY</b>	<b>DESCRIPTION</b>
<b>U-2959</b>	<b>1</b>	<b>Kit, Hand Controls:</b>
044937SP	1	Kit, Dust Cap w/ Connector
046006SP	1	Bar, Control Lever Linkage
046005SP	1	Nut, Jam
005170SP	2	Bolt, Hex 1/4 x 1
002454SP	1	Bolt, Hex 1/4 x 1 1/2
051108SP	1	Bar, Spacer
006645SP	2	Nut, Nylok 1/4
035883SP	2	Rod End Assy
005405SP	4	Nut, Hex 1/4
049089SP	2	Cable, Push-Pull 31"
035884SP	2	Clevis, 1/4" Pin, 1/4" UNF Threadturnbuckle Style
030044SP	2	Pin, Clevis 1/4 x 3/4
001630SP	2	Pin, Cotter 1/16 x 3/4
963266SP	1	Step Shield Assy HC
044286SP	3	Safety Track 4 1/2" x 11 1/2"
002663SP	2	Bolt, Hex 1/4 x 3/4
001650SP	2	Washer, Flat 1/4

<b>PART</b>	<b>QTY</b>	<b>DESCRIPTION</b>
<b>U-2962</b>	<b>1</b>	<b>Kit, Hi-Flow:</b>

See Section 5.3 for more informataion.

**FACTORY**

<b>PART</b>	<b>QTY</b>	<b>DESCRIPTION</b>
<b>U-3118</b>	<b>1</b>	<b>Kit, Tire Foam Filled, 12 x 16.5</b>
049517SP	4	Wheel & Tire Assy, Foam Filled, R.H. 12 x 16.5
049518SP	4	Wheel & Tire Assy, Foam Filled, L.H. 12 x 16.5
<b>U-3120</b>	<b>1</b>	<b>Kit, Tire Foam Filled, 33 x 15.5 x 16.5</b>
049519SP	4	Wheel & Tire Assy, Foam Filled, R.H. 33 x 15.5 x 16.5
049520SP	4	Wheel & Tire Assy, Foam Filled, L.H. 33 x 15.5 x 16.5
<b>U-3122</b>	<b>1</b>	<b>Kit, Tire Foam Filled, 33 x 15.5 x 16.5</b>
049521SP	4	Wheel & Tire Assy, Foam Filled, R.H. 12 x 16.5
049522SP	4	Wheel & Tire Assy, Foam Filled, L.H. 12 x 16.5
<b>U-2501</b>	<b>1</b>	<b>Kit,</b>

**FIELD**

<b>PART</b>	<b>QTY</b>	<b>DESCRIPTION</b>
<b>U-2560</b>	<b>1</b>	<b>Kit, Tire 33 x 6 x 8 Solid Field</b>
046431SP	4	Wheel & Tire Assy, 33 x 6 x 8 Solid
<b>U-2563</b>	<b>1</b>	<b>Kit, Tire 12 x 16.5 HD2000 Field</b>
044022SP	2	Tire & Wheel Assy, 12 x 16.5 LH HD2000, 8 Bolt
044023SP	2	Tire & Wheel Assy, 12 x 16.5 RH HD2000, 8 Bolt
<b>U-2715</b>	<b>1</b>	<b>Kit, Tire 33 x 15.5 x 16.5, Outrigger Field</b>
047619SP	2	Tire & Wheel Assy, 33 x 15.5 x 16.5 RH Outrigger, 8 Bolt
047620SP	2	Tire & Wheel Assy, 33 x 15.5 x 16.5 LH Outrigger, 8 Bolt

# HYDRAULIC OIL HEATER

9.12

PART	QTY	DESCRIPTION
<b>U-2515</b>	<b>1</b>	<b>Kit, Hydraulic Oil Heater:</b>
030549SP	1	Heater, Hydraulic Oil

PART	QTY	DESCRIPTION	PART	QTY	DESCRIPTION
<b>U-2539</b>	<b>1</b>	<b>Kit, Interior Light &amp; Exterior Trouble:</b>	<b>U-1911</b>	<b>1</b>	<b>Kit, Interior Light &amp; Exterior Trouble (Standard on CE Loaders):</b>
041317SP	1	Light, Dome / Emergency	041317SP	1	Light, Dome / Emergency
039880SP	11 ft.	Wire, #18 Gauge Light Green Type SXL	039880SP	11 ft.	Wire, #18 Gauge Light Green Type SXL
041023SP	11 ft.	Wire, #18 Gauge Red Type SXL	041023SP	11 ft.	Wire, #18 Gauge Red Type SXL
017940SP	2	Grommet	017940SP	2	Grommet
000765SP	11 ft.	Loom, Corrugated .250 ID Black	000765SP	11 ft.	Loom, Corrugated .250 ID Black
039122SP	1	Fuse, Automotive 10 Amp (5 per pack)	039122SP	1	Fuse, Automotive 10 Amp (5 per pack)
041705SP	1	Connector, Male, 2-Way Metri-Pak	041705SP	1	Connector, Male, 2-Way Metri-Pak
041706SP	2	Terminal, Female Metri-Pak for 41705	041706SP	2	Terminal, Female Metri-Pak for 41705
039901SP	1	Terminal, Ring 5/16" Stud 22-18	039901SP	1	Terminal, Ring 5/16" Stud 22-18
041018SP	1	Terminal, Slide .25 F #18-22 Ga Fully Insulated	041018SP	1	Terminal, Slide .25 F #18-22 Ga Fully Insulated
037472SP	3	Screw, Self Tapping, 10-16 x 3/4"	037472SP	3	Screw, Self Tapping, 10-16 x 3/4"
048242SP	3	Screw, Self Tapping, 10-16 x 1-1/4"	048242SP	3	Screw, Self Tapping, 10-16 x 1-1/4"



# DRIVING LAMP

9.14

PART	QTY	DESCRIPTION
<b>U-2700</b>	<b>1</b>	<b>Kit, Lamp Driving:</b>
047418SP	2	Lamp, Driving E Approved

<b>PART</b>	<b>QTY</b>	<b>DESCRIPTION</b>
<b>U-2513</b>	<b>1</b>	<b>Kit, Purifier:</b>
046309SP	1	Muffler / Purifier Assembly
044898SP	1	Gasket, Steel, Muffler
047824SP	1	Pipe, Exhaust
026759SP	1	Clamp, Muffler 3"

# MIRROR, EXTERNAL REAR VIEW

9.16

PART	QTY	DESCRIPTION
<b>U-2766</b>	<b>1</b>	<b>Kit, Mirror External Rear View:</b>
001622SP	2	Bolt, Stove 3/16 x 1
006468SP	2	Washer, Flat 3/16
002811SP	2	Washer, Lock 3/16
006467SP	2	Nut, Hex 3/16
047419SP	1	Mirror, External CE
048031SP	1	Plate, Mirror Bracket
001651SP	2	Washer, Flat 5/16
001678SP	2	Bolt, Hex 5/16 x 1 1/2
001870SP	2	Washer, Lock 5/16

<b>PART</b>	<b>QTY</b>	<b>DESCRIPTION</b>
<b>U-2767</b>	<b>1</b>	<b>Kit, Mirror Internal Rear View:</b>
024229SP	1	Mirror, Rear View
007473SP	1	Bolt, Flat Head 3/16 x 1
006467SP	1	Nut, Hex 3/16
002811SP	1	Washer, Lock 3/16

# STOP SWITCH

9.18

PART	QTY	DESCRIPTION
<b>U-2687</b>	<b>1</b>	<b>Kit, Stop Switch:</b>
042951SP	1	Switch, Contact Body Assy.
044305SP	1	Button, Turn to Release Red
042975SP	1	Sheet, Stop Button Support
043145SP	1	Decal, Park Brake

<b>PART</b>	<b>QTY</b>	<b>DESCRIPTION</b>
<b>U-2949</b>	<b>1</b>	<b>Kit, Cab Liner:</b>
049052SP	1	Insulation, Headliner
047392SP	1	Insulation, Battery Compartment
047393SP	1	Insulation, Lower Rear Window Panel
047394SP	1	Insulation, Left Rear Cornerpost
047395SP	1	Insulation, Right Rear Cornerpost
048021SP	1	Insulation, Left Side Panel
048022SP	1	Insulation, Right Side Panel
048023SP	1	Insulation, Backpanel

\* See Section 1.9 for an illustration that includes all of the components of the Cab Liner Kit.

# FLAT FACE ADAPTOR TO POPPET

9.20

PART	QTY	DESCRIPTION
<b>U-2874</b>	<b>1</b>	<b>Kit, Adaptor Flat Face to Poppet Coupling:</b>
043802SP	1	Adaptor, Quick Disconnect 12 3/4 Flat Face Female to 8 1/2 ISO Male
043803SP	1	Adaptor, Quick Disconnect 12 3/4 Flat Face Male to 8 1/2 ISO Female

<b>PART</b>	<b>QTY</b>	<b>DESCRIPTION</b>
<b>U-3474</b>	<b>1</b>	<b>Wheel Conversion Kit, Field</b>
048345SP	2	Drive Sprocket, T100
048916SP	1	Kit, Chains 250
049590SP	2	Gasket, Transmission Inspection Cover
006465SP	40	Bolt, Hex 5/8" x 1" UNC, Gr.5
001647SP	40	Washer, Lock 5/8"
043558SP	4	Nut, Flg Hex 5/16" UNC, Gr. 5
051481SP	2	Sheet, Transmission Cover



## **NUMERICAL INDEX**

# NUMERICAL INDEX

PART NUMBER / SECTION	PART NUMBER / SECTION	PART NUMBER / SECTION	PART NUMBER / SECTION
000073SP .....9.2	001675SP.....4.6 A	006465SP .....3.1, 9.21	017438SP .....4.6 B, 4.10, 9.8
000261SP .....1.1, 1.7	001677SP.....2.1 A, 2.1 B	006467SP .....9.3, 9.7, 9.16, 9.17	017441SP .....4.6 B, 4.10, 9.8
000407SP .....1.1, 7.3	001678SP .....9.16	006468SP .....9.7, 9.16	017493SP .....9.2
000415SP.....4.3 A, 9.2	001680SP .....1.3	006645SP .....1.2, 1.5, 2.1 A, 9.2	017633SP .....1.5
000698SP .....4.1	001684SP .....1.2	006645SP .....9.3, 9.9	017940SP .....9.13
000765SP .....9.2, 9.6, 9.13	001773SP .....8.3	007019SP.....1.11	018274SP .....6.2
000820SP .....1.5, 1.7	001870SP .....1.6, 1.7, 2.1 A, 2.2, 2.4	007045SP .....9.3	018318SP .....1.1
000821SP .....1.7	001870SP ....4.1, 4.8, 8.2, 9.6, 9.7, 9.16	007458SP .....1.3, 1.4, 9.2	018455SP .....1.5
000917SP .....1.5	002008SP.....2.1 A, 2.1 B	007465SP ....1.2, 1.4, 1.8, 2.1 A, 2.1 B	018767SP .....5.1
001150SP.....5.4	002010SP ....1.3, 1.4, 1.6, 2.1 A, 2.1 B	007465SP .....4.4, 4.6, 8.3	019029SP .....7.1
001190SP .....1.6, 1.7, 4.4, 8.2, 9.7	002010SP .....4.5 B, 4.7, 8.2	007473SP .....9.17	019226SP .....4.3 B, 4.6 A, 4.6 B
001191SP .....9.6, 9.7	002011SP.....1.3	008104SP .....5.1	019226SP .....4.8, 9.8
001193SP .....1.7, 1.8, 4.2, 7.2, 7.3	002279SP .....1.2, 3.2, 9.2, 9.3	008280SP .....7.3	019232SP.....4.3 A, 4.3 B, 4.8, 9.8
001194SP .....1.1, 2.2, 7.2, 7.3	002443SP.....2.1 A, 2.1 B	008613SP .....1.3, 1.4, 1.5, 2.4	019235SP .....4.1
001240SP .....4.4	002454SP.....2.1 A, 9.19	008613SP .....4.4, 8.3	019238SP .....5.1
001350SP .....1.6, 2.3	002580SP.....2.1 A, 2.2	008615SP .....9.3, 9.6	019240SP .....5.1
001361SP .....1.10	002663SP .....1.2, 1.7, 9.3, 9.9	014223SP .....4.1	019949SP .....1.1, 7.3
001364SP .....2.2	002811SP .....2.4, 9.3, 9.7, 9.16, 9.17	014797SP .....1.1	020232SP .....4.1
001386SP .....3.2	002898SP .....1.5	014866SP .....5.1, 5.3	020235SP .....1.5
001387SP .....1.1, 1.7, 1.8, 4.4, 7.3	003237SP .....9.7	014867SP .....5.3	020860SP .....1.3
001458SP .....1.3	003273SP .....9.6	014869SP .....9.4	020861SP.....1.3, 1.5, 2.1 A, 2.1 B
001529SP .....7.3	003321SP .....1.3	014877SP .....3.2	021004SP .....1.2
001547SP .....5.4	003322SP .....1.4	014898SP .....4.1	021028SP .....2.3, 7.1, 7.2
001622SP .....9.7, 9.16	003625SP .....9.2	015103SP .....4.10	021029SP .....4.4, 7.1
001626SP.....2.1 A, 2.2	004398SP .....9.7	015149SP .....9.3	021121SP .....4.10, 5.1
001630SP .....2.1 A, 2.2, 9.3, 9.9	005170SP .....1.2, 1.5, 2.1 A, 9.2	015433SP .....4.1, 4.8	021128SP.....5.1
001642SP .....1.1, 1.7, 4.2, 4.4	005170SP .....9.3, 9.9	015521SP .....9.2	021174SP.....2.1 A, 2.1 B
001642SP .....7.2, 7.3, 8.3	005405SP .....2.2, 9.9, 2.1 A	015750SP .....9.3	021259SP .....9.3
001643SP .....1.1, 1.7, 1.8, 2.1, 2.3	005406SP.....2.1 A, 2.1 B	015885SP .....9.3	021553SP .....5.1
001643SP .....4.2, 4.4	005832SP .....1.11, 3.2	015931SP .....1.7, 4.4, 9.4	021554SP .....4.4
001647SP .....1.5, 3.1, 9.21	006081SP .....9.6	016019SP .....9.2	021557SP .....7.3
001650SP .....1.2, 1.5, 1.7, 4.4	006086SP .....1.6, 1.7	016608SP .....1.5	021558SP .....5.4, 7.3
001650SP .....9.2, 9.3, 9.9	006268SP .....4.4, 7.1, 7.3	016771SP ....1.3, 1.4, 2.1 A, 2.1 B, 2.2	021701SP .....4.1, 5.3
001651SP .....1.6, 1.7, 4.4, 9.2	006297SP .....4.7	016771SP .4.3 A, 4.3 B, 4.6 A, 8.3, 9.2	022280SP .....4.8
001651SP .....9.6, 9.7, 9.16	006377SP .....3.1	016989SP .....1.2	022653SP .....1.3
001671SP .....8.3	006393SP .....1.2, 9.7	017144SP .....1.1, 4.1	023194SP .....1.1, 2.4
001672SP.....2.1 A, 2.1 B	006394SP.....1.2, 2.1 A, 2.1B	017422SP .....1.7	023238SP .....1.2

PART NUMBER / SECTION	PART NUMBER / SECTION	PART NUMBER / SECTION	PART NUMBER / SECTION
023250SP .....4.10	026737SP .....1.1	035884SP .....2.1 A, 2.2, 9.9	038588SP .....4.2
023301SP .....Decal Section	026759SP .....9.15	036273SP .....4.6 B, 9.8	038652SP .....5.1
023307SP .....Decal Section	026829SP .....4.10	036336SP ....4.3A,4.3B,4.6 A,4.6B,4.8	038752SP .....6.2, 9.7
023308SP .....Decal Section	026833SP .....4.10, 5.1	036598SP .....Decal Section	038761SP .....6.1
023309SP .....Decal Section	026859SP .....5.4, 7.3	036626SP .....4.6 B, 9.8	038768SP .....5.3
023310SP .....Decal Section	027013SP .....9.7	036711SP .....5.3	038794SP .....6.1
023312SP .....Decal Section	029029SP .....3.2	036713SP .....5.1	038797SP .....1.6
023321SP .....Decal Section	029064SP .....1.11	036841SP .....Decal Section	038870SP .....6.2
023324SP .....Decal Section	029437SP .....4.8, 5.3	036853SP .....4.10	038871SP .....6.2
023325SP .....Decal Section	029790SP .....9.5	037010SP .....Decal Section	039009SP .....9.6
023326SP .....Decal Section	029896SP .....4.5	037059SP .....Decal Section	039109SP .....9.6
023385SP ....1.3, 2.1 A, 2.1 B, 4.4, 8.3	029971SP .....6.2	037060SP .....Decal Section	039110SP .....9.6
023388SP .....5.1 B	029972SP .....9.2	037104SP .....6.2	039121SP .....6.2
023452SP .....1.5	030044SP .....2.1 A, 2.2, 9.9	037167SP .....9.2	039122SP .....6.2, 9.2, 9.6, 9.7, 9.13
023772SP .....2.1 B, 2.3	030236SP .....4.5	037206SP .....4.1, 6.2	039123SP .....6.1
023861SP .....1.1	030549SP .....4.1, 9.12	037208SP .....4.1	039124SP .....6.1
023901SP .....2.2, 4.4	030641SP .....4.7	037243SP .....9.3	039126SP .....1.5
024229SP .....9.17	031156SP .....9.2	037275SP .....9.3	039127SP .....9.6
024264SP .....1.1	031166SP .....9.2	037472SP .....9.13	039191SP .....Decal Section
024296SP .....4.4	031167SP .....9.2	037596SP .....9.3	039192SP .....Decal Section
024615SP .....4.6 B, 9.8	031744SP .....1.5, 1.7, 9.3	037597SP .....9.3	039196SP .....Decal Section
024790SP .....2.3, 7.1	032070SP .....1.7	037601SP .....9.2	039206SP .....9.6
024980SP .....8.3	032275SP .....Decal Section	037606SP .....9.2	039537SP .....1.5
025011SP .....5.1	032478SP .....4.1	037633SP .....9.2	039540SP .....6.2
025091SP .....5.4	032511SP .....4.7	037808SP .....1.5	039546SP .....1.6
025460SP .....Decal Section	032600SP .....9.3	037981SP .....9.2	039556SP .....1.7
025589SP .....2.1 B	032968SP .....9.3	038043SP .....Decal Section	039557SP .....1.7
025618SP .....3.2	033153SP .....4.7	038303SP ....4.1, 4.6 A, 4.6 B, 4.8, 9.2	039840SP .....6.2
025762SP .....1.7	033831SP ....4.3 A,4.3B,4.6A,4.6 B,4.8	038386SP .....4.2, 4.4, 5.1	039868SP .....1.2, 9.4
026172SP .....2.4	033850SP .....5.1	038389SP .....4.10	039869SP .....9.4
026174SP .....2.1 A, 2.2	034903SP .....4.1	038420SP .....7.2	039880SP .....9.6, 9.13
026188SP .....3.2	034919SP .....4.1, 7.3	038472SP .....4.1	039891SP .....9.3
026202SP .....4.1	035243SP .....4.2	038472SP .....4.6 A, 4.6 B, 4.8, 9.2	039899SP .....9.6
026509SP .....3.2	035449SP .....2.1 A, 2.2	038516SP .....1.8, 6.2	039901SP .....9.6, 9.13
026510SP .....3.2	035451SP .....4.5, 4.7	038541SP .....9.2	039904SP .....1.8
026641SP .....5.1, 5.3	035489SP .....9.3	038577SP .....6.1	039907SP .....9.4
026715SP .....9.2	035883SP .....2.1 A, 9.9	038587SP .....4.2	039972SP .....6.1

# NUMERICAL INDEX

PART NUMBER / SECTION	PART NUMBER / SECTION	PART NUMBER / SECTION	PART NUMBER / SECTION
040320SP .....2.4	042076SP.....4.3 A, 4.3 B, 4.6 A, 9.2	043145SP .....9.18	043903SP.....4.3 A, 4.3 B
040337SP .....1.6	042089SP .....4.8	043146SP .....5.1	043903SP.....4.6 A, 4.6 B, 4.8
040614SP .....1.3	042091SP.....4.6 A, 4.6 B	043189SP .....5.1	043917SP.....4.11
040652SP .....9.2	042107SP.....Decal Section	043235SP .....1.2	043918SP.....4.11
040722SP .....9.2	042187SP.....6.2, 9.7	043236SP .....1.2	043919SP .....5.3
040737SP .....1.5	042207SP.....2.1 A, 2.1 B	043327SP .....9.7	043920SP .....5.3
040908SP .....9.4	042292SP .....5.1	043328SP .....9.7	043921SP .....5.3
040909SP .....9.4	042322SP.....4.3 A, 4.3 B	043330SP .....9.7	043922SP .....5.3
040918SP .....6.1, 9.6	042350SP .....1.3	043337SP .....9.7	044022SP.....9.11
040921SP .....1.1	042407SP .....6.2, 7.1	043384SP.....2.1 A, 2.1 B	044023SP.....9.11
040922SP .....1.1	042422SP .....6.1, 7.1	043487SP.....4.3 B, 4.6 B, 9.8	044061SP .....1.6
040970SP.....Decal Section	042433SP .....6.1	043539SP .....4.2, 5.3	044103SP .....1.10
041018SP .....9.13	042435SP .....6.1	043540SP .....4.2	044118SP.....9.2
041023SP .....9.13	042442SP .....9.2	043541SP .....4.2	044181SP.....2.1 A, 2.1 B, 6.2
041045SP.....Decal Section	042490SP .....1.6	043558SP.....3.1, 3.2, 4.1, 7.3, 9.21	044182SP.....2.1 A, 2.1 B, 6.2, 9.6
041065SP.....Decal Section	042561SP .....1.1, 7.3	043560SP .....1.8	044190SP .....4.9
041066SP.....Decal Section	042571SP .....1.1	043570SP.....4.6 A, 4.6 B	044237SP .....4.4, 9.4
041123SP.....Decal Section	042572SP .....1.1	043571SP .....4.8	044286SP .....9.9
041290SP .....1.3	042573SP .....1.1	043631SP .....1.4	044299SP .....4.9
041291SP .....1.3	042574SP .....1.1	043632SP .....4.5	044305SP .....9.18
041317SP .....9.13	042625SP.....4.3 A, 4.3 B	043633SP .....1.4	044323SP .....9.7
041318SP .....1.3	042737SP .....7.3	043634SP .....1.3, 1.4	044345SP .....9.4
041392SP .....1.3	042907SP.....4.6 B, 9.8	043635SP .....1.4	044347SP.....2.1 A, 2.1 B
041627SP .....1.1, 6.2	042931SP .....1.8	043636SP .....1.3, 1.4	044348SP.....2.1 A, 2.1 B
041704SP .....1.7	042950SP .....2.4, 6.2	043637SP .....1.4	044349SP.....2.1 A, 2.1 B
041705SP .....9.13	042951SP .....6.2, 9.18	043722SP .....4.9	044357SP .....3.1
041706SP .....9.13	042975SP .....9.18	043771SP .....4.5	044358SP .....3.1
041738SP.....Decal Section	043004SP .....2.4	043776SP.....Decal Section	044384SP.....2.1 A, 2.1 B
041778SP.....Decal Section	043005SP .....1.7, 2.4, 9.3	043791SP.....Decal Section	044385 SP.....2.1 A, 2.1 B
041791SP .....1.7	043033SP.....4.3 A, 4.3 B, 9.2	043800SP .....4.11	044435SP .....7.1
041792SP .....9.3	043064SP .....5.1	043801SP .....4.11	044436SP .....7.1
042047SP .....2.3	043066SP .....9.2	043802SP .....9.20	044462SP .....5.3
042061SP.....4.6 A	043087SP .....1.2	043803SP .....9.20	044473SP .....4.9
042063SP .....7.4	043088SP .....1.2	043812SP .....4.9	044513SP.....2.1 A, 2.1 B, 9.6
042064SP .....6.2	043127SP .....4.10	043829SP .....1.4	044570SP .....4.5
042065SP .....6.1	043128SP .....4.10	043830SP .....1.4	044615SP.....Decal Section
042070SP .....1.7, 1.8, 6.2	043130SP .....4.10	043840SP .....2.3	044674SP .....4.8

PART NUMBER / SECTION	PART NUMBER / SECTION	PART NUMBER / SECTION	PART NUMBER / SECTION
044675SP .....4.8	046006SP .....4.9, 9.9	047409SP .....1.9 A, 1.9 B	048593SP .....4.8
044706SP .....7.3	046106SP .....2.2	047410SP .....1.9 A, 1.9 B	048594SP .....4.8, 5.3
044744SP .....7.3	046118SP .....4.10	047411SP .....1.9 A, 1.9 B	048595SP .....4.8
044745SP .....7.3	046159SP .....2.2	047412SP .....1.9 A, 1.9 B	048601SP .....4.4, 9.3
044746SP .....7.3	046165SP .....4.10	047418SP .....9.14	048612SP .....4.4
044756SP .....7.1	046166SP .....4.10	047419SP .....9.16	048614SP .....1.2
044758SP .....7.1	046299SP .....2.1 A, 2.1 B	047523SP .....1.8	048680SP .....5.3
044761SP .....7.1	046300SP .....2.1 A, 2.1 B	047619SP .....9.11	048736SP .....5.3
044789SP .....2.2	046301SP .....Decal Section	047620SP .....9.11	048908SP .....6.2
044797SP .....1.7	046303SP .....1.5	047760SP .....2.1 A, 2.2	048912SP .....6.2
044815SP .....7.3	046309SP .....9.15	047804SP .....4.9, 5.3	048916SP .....9.21
044816SP .....7.1	046353SP .....2.1 A, 2.1 B	047824SP .....9.15	048917SP .....3.2
044820SP .....7.1	046398SP .....1.2	047825SP .....7.2	048919SP .....4.4, 5.3, 7.3
044821SP .....7.1	046431SP .....9.11	047842SP .....5.1	048920SP .....6.2
044828SP .....7.1	046435SP .....1.11	047859SP .....Decal Section	048921SP .....6.2
044850SP .....7.3	046438SP .....1.11	047964SP .....1.9 A, 1.9 B	048923SP .....4.4
044894SP .....6.2, 7.4	046439SP .....1.11	047965SP .....1.9 A, 1.9 B	048924SP .....1.7
044895SP .....6.2, 7.4	046455SP .....3.1	048011SP .....5.4	048925SP .....4.4
044896SP .....6.2, 7.4	046456SP .....4.1	048021SP .....1.9 A, 1.9 B, 9.19	048927SP .....1.2
044897SP .....7.4	046579SP .....5.2	048022SP .....1.9 A, 1.9 B, 9.19	048928SP .....1.2
044898SP .....7.2, 7.4, 9.15	046669SP .....9.2	048023SP .....1.9 A, 1.9 B, 9.19	048929SP .....1.2
044899SP .....7.4	046686SP .....6.1	048031SP .....9.16	048941SP .....1.5
044900SP .....7.4	046831SP .....6.1	048204SP .....7.2	048942SP .....1.5
044901SP .....7.3, 7.4	046836SP .....6.1	048242SP .....9.13	049018SP .....Decal Section
044902SP .....7.3, 7.4	046913SP .....5.1	048345SP .....5.4, 9.21	049019SP .....Decal Section
044903SP .....6.2	047050SP .....9.3	048346SP .....3.2	049020SP .....Decal Section
044903SP .....7.4	047150SP .....1.7	048355SP .....3.2	049021SP .....Decal Section
044905SP .....3.2	047275SP .....9.4	048365SP .....3.2	049022SP .....Decal Section
044908SP .....7.1	047276SP .....9.4	048366SP .....3.2	049023SP .....Decal Section
044909SP .....7.1	047336SP .....6.2	048447SP .....4.1	049035SP .....5.1
044910SP .....7.1	047371SP .....2.2	048448SP .....4.1	049036SP .....4.1, 5.3
044935SP .....4.9	047392SP .....1.9 A, 1.9 B, 9.19	048466SP .....7.4	049037SP .....5.1
044937SP .....4.9, 9.9	047393SP .....1.9 A, 1.9 B, 9.19	048467SP .....2.1 A, 2.1B, 6.2	049040SP .....Decal Section
044960SP .....6.1	047394SP .....1.9 A, 1.9 B, 9.19	048468 SP .....2.1 A, 2.1B, 6.2	049047SP .....1.8
044961SP .....6.1	047395SP .....1.9 A, 1.9 B, 9.19	048479SP .....5.4	049052SP .....1.9 A, 1.9 B, 9.19
044979SP .....2.1 A, 2.2	047404SP .....1.9 A, 1.9 B	048516SP .....4.4	049060SP .....5.3
046005SP .....4.9, 9.9	047406SP .....1.9 A, 1.9 B	048592SP .....4.8, 5.3	049061SP .....5.3

# NUMERICAL INDEX

PART NUMBER / SECTION	PART NUMBER / SECTION	PART NUMBER / SECTION	PART NUMBER / SECTION
049065SP .....4.1	049276SP .....7.4	049979SP .....8.3	959073SP .....2.1 A, 2.1B
049069SP .....9.2	049281SP .....1.3	049980SP .....8.2	960475SP .....3.2
049074SP .....5.4	049372SP .....9.2	049981SP .....8.1	961499SP .....4.6 A, 4.6 B
049075SP .....7.3	049428SP .....5.1	049982SP .....8.1	961693SP .....6.2
049076SP .....4.9	049438SP .....Decal Section	049983SP .....8.2	961696SP .....1.3
049077SP .....4.9	049491SP .....5.1, 5.2	049986SP .....5.1, 5.2, 8.1	961747SP .....5.1, 5.3
049078SP .....4.9	049590SP .....3.1, 9.21	049989SP .....5.2	961761SP .....4.6 A, 4.6 B, 4.8
049079SP .....4.9	049592SP .....3.2	051013SP .....2.1 A, 2.2	961762SP .....5.1
049080SP .....4.9	049594SP .....3.2	051014SP .....2.2	961763SP .....5.1
049081SP .....4.9	049612SP .....3.2	051021SP .....4.4	961767SP .....4.6 B
049082SP .....4.9	049672SP .....2.3	051028SP .....1.2	961774SP .....4.3 A, 4.3 B
049083SP .....4.9	049739SP .....1.5	051108SP .....2.1 A, 9.9	961776SP .....4.3 B
049084SP .....5.4	049740SP .....1.5	051119SP .....3.1, 3.2	961778SP .....4.6 B
049085SP .....5.4	049753SP .....3.2	051120SP .....4.4, 7.3	961833SP .....1.3
049086SP .....5.4	049863SP .....8.1	051126SP .....2.1A, 2.1B	961834SP .....1.3
049087SP .....5.4	049866SP .....8.2	051128SP .....1.2	961937SP .....4.3 B
049089 SP .....2.1 A, 9.9	049867SP .....8.2	051155SP .....2.1A, 2.1B	962874SP .....2.1 A, 2.1 B
049097SP .....1.2	049868SP .....8.2	051160SP .....7.3	962885SP .....7.3
049190SP .....Decal Section	049869SP .....8.1, 8.2	051184SP .....4.4	962886SP .....7.3
049191SP .....Decal Section	049870SP .....8.3	051190SP .....4.4	962887SP .....7.3
049192SP .....Decal Section	049871SP .....8.3	051192SP .....4.4	962891SP .....7.1
049193SP .....Decal Section	049872SP .....8.3	051195SP .....4.4	962903SP .....4.3 A, 4.3 B
049194SP .....Decal Section	049873SP .....8.3	051203SP .....1.7	962904SP .....4.3 A, 4.3 B
049195SP .....Decal Section	049874SP .....8.3	051481SP .....3.1, 9.21	963108SP .....2.3
049196SP .....Decal Section	049880SP .....8.1, 8.2	051496SP .....3.2	963230SP .....4.3 A, 4.3 B
049253SP .....1.9 (B)	049881SP .....8.3	051538SP .....6.2	963231SP .....4.3 A
049254SP .....1.9 (B)	049882SP .....8.3	052104SP .....8.4	963232SP .....4.6 A, 4.6 B
049255SP .....1.9 (B)	049883SP .....8.1, 8.2	052105SP .....8.4	963237SP .....9.8
049256SP .....1.9 (B)	049884SP .....8.1, 8.2	052106SP .....8.4	963256SP .....7.2
049257SP .....1.9 (B)	049885SP .....8.1	052107SP .....8.4	963266SP .....1.7, 9.9
049258SP .....1.9 (B)	049887SP .....8.1	052108SP .....8.4	963344SP .....2.1 A, 2.1 B
049259SP .....1.9 (B)	049888SP .....8.1	052109SP .....8.4	963348SP .....2.1 A, 2.1 B
049260SP .....4.4	049889SP .....8.3	052110SP .....8.4	963349SP .....2.1 A, 2.1 B
049262SP .....1.9 (B)	049975SP .....8.3	052111SP .....8.4	964846SP .....9.1
049263SP .....1.9 (B)	049976SP .....8.3	952766SP .....3.1	963425SP .....1.11
049268SP .....7.3, 7.4	049977SP .....8.3	953780SP .....9.3	963681SP .....6.1
049270SP .....3.1, 3.2	049978SP .....8.3	958336SP .....9.3	963682SP .....6.1

PART NUMBER / SECTION	PART NUMBER / SECTION	PART NUMBER / SECTION	PART NUMBER / SECTION
963775SP .....9.3	964698SP .....5.3	U-2766.....9.16	
963786SP .....9.3	964699SP .....5.3	U-2767.....9.17	
963802SP .....9.1	964700SP .....5.3	U-2873.....4.11	
963881SP .....9.1	964701SP .....5.3	U-2874.....9.20	
963883SP .....9.21	964702SP .....5.3	U-2942.....9.8	
963884SP .....1.7, 2.2	964703SP .....5.3	U-2949.....9.19	
963900SP .....2.1 (A)	964704SP .....5.3	U-2959.....9.9	
963926SP .....1.4	964719SP .....4.4	U-2962.....9.10	
964349SP .....3.2	964846SP .....9.1	U-3054.....9.2	
964514SP .....1.2	964967SP .....5.1	U-3056.....9.1	
964522SP .....1.2	964968SP .....5.1	U-3062.....1.10	
964535SP .....2.1 A, 2.2	964969SP .....5.1	U-3474.....9.21	
964539SP .....1.7	964970SP .....5.1		
964544SP .....1.2	964971SP .....5.1		
964546SP .....4.4	964972SP .....5.1		
964568SP .....4.1, 5.1	965071SP .....7.3		
964569SP .....4.4	965079SP .....3.1		
964570SP .....4.2, 4.4, 5.3	965080SP .....3.1		
964571SP .....4.1, 4.2, 5.3	965495SP .....2.2		
964572SP .....4.1, 5.1	965496SP .....2.2		
964573SP .....4.1, 5.1	965556SP .....8.1		
964574SP .....4.1, 5.1	U-1911.....9.13		
964576SP .....5.1	U-2265.....9.6		
964577SP .....5.1	U-2478.....9.5		
964578SP .....5.1	U-2481.....9.7		
964581SP .....4.10	U-2509.....9.11		
964582SP .....4.10, 5.1	U-2510.....9.11		
964583SP .....4.10	U-2513.....9.15		
964595SP .....4.6 A, 4.6 B, 4.8	U-2515.....9.12		
964597SP .....1.5	U-2539.....9.13		
964600SP .....2.4	U-2560.....9.11		
964605SP .....1.10	U-2563.....9.11		
964606SP .....1.10	U-2674.....9.3		
964613SP .....3.2	U-2682.....9.6		
964622SP .....4.10	U-2687.....9.18		
964696SP .....5.3	U-2714.....9.11		
964697SP .....5.3	U-2715.....9.11		

# NUMERICAL INDEX

PART NUMBER / SECTION

PART NUMBER / SECTION

PART NUMBER / SECTION

PART NUMBER / SECTION